



# CONTROLS

## **Pneumatics Cabin Control**

N-Force Series Tipper Controls	6.1
N-Force EVO Tipper Controls	6.2
N-Force Series Control Accessories	6.3
MiNi-Force Tipper Control	6.4
MiNi-Force Series Control Accessories	6.5
N-GAGE Series Control	6.6
N-GAGE Series Control Accessories	6.7
AIRTD002 Series Dual Tipper Control System	6.8
DCM01 Three Position Lever Control	6.10
AOHCACC1 Series Single Control	6.11
AOHCACC2 Series Twin Control	6.12
AOHCACC3 Series Triple Control	6.13

## **Electric Controls**

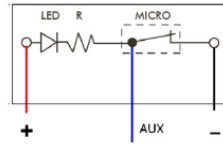
EAPC Electronic Air Pendant Control	6.14
Sistematica Radio Remote and Pendant Controls	6.15
ASAP Series Electric Over Air Solenoids	6.22
CV35 Series Electric Over Air Solenoids	6.23
Electric PTO Engagement Control Kit	6.24
Electric PTO Vacuum Control Kit	6.25

1800 022 831

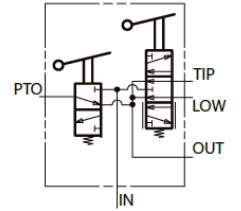
[www.heavyhydraulics.com.au](http://www.heavyhydraulics.com.au)

Air proportional cab switch with full integrated lever to control both PTO engagement and body tipping/lowering. Several versions available to meet any requirements.

Electric diagram

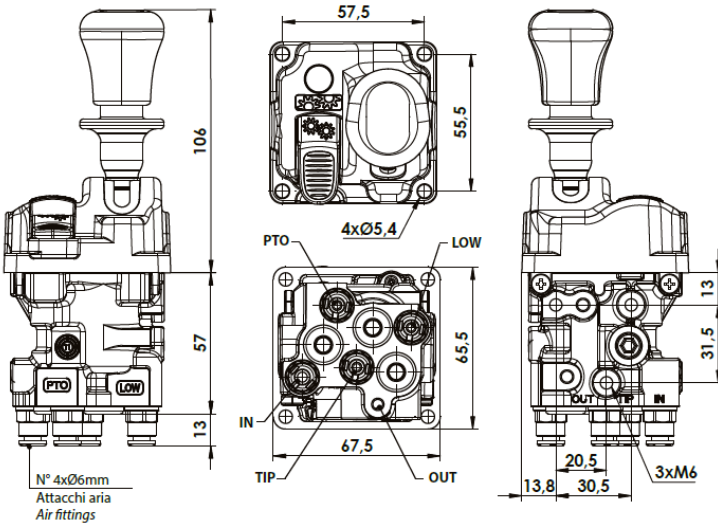


Functional diagram



Fluid: air  
Working pressure: 12 bar max  
Temperature: -30°C / +80°C

Dimensions



With PTO



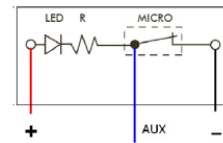
Without PTO

Order code

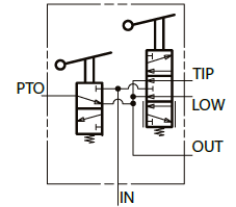
Available versions:		Air fittings	Lever return			
			Automatic "CE"	Manual (with low and tip block)	Manual (with low block)	Manual (with tip block)
With PTO control switch	Automatic PTO knock-off	Ø6	10000171003	10000171094	10000171209	10000171247
		1/4"	10000181003	10000181094	10000181209	
	Manual PTO knock-off	Ø6	10000171030	10000171067	10000171127	10000171225
		1/4"	10000181030	10000181067	10000181127	
Without PTO control switch		Ø6	10000171110	10000171101	10000171218	10000171261
		1/4"	10000181110	10000181101	10000181218	

Air proportional cab switch with full integrated lever to control both PTO engagement and body tipping/lowering. Engineering compound body and integrated air fittings. Several versions available to meet any requirements.

Electric diagram

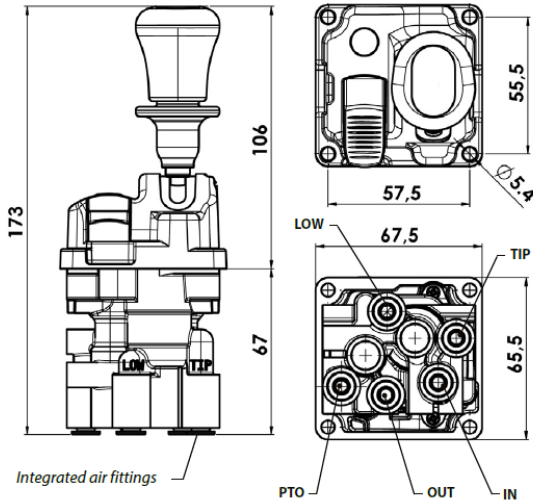


Functional diagram



Fluid: air  
Working pressure: 12 bar max  
Temperature: -30°C / +80°C

## Dimensions










With PTO



Without PTO

## Order code

Available versions:		Air fittings	Lever return			
			Automatic "CE" 	Manual (with low and tip block) 	Manual (with low block) 	Manual (with tip block) 
With PTO control switch	Automatic PTO knock-off  <a href="#">Link: Accessories Mounting instructions</a>	Ø6	10000131003	10000131094	10000131209	10000131247
		1/4"	10000191003	10000191094	10000191209	
	Manual PTO knock-off  <a href="#">Link: Accessories Mounting instructions</a>	Ø6	10000131030	10000131067	10000131127	10000131225
		1/4"	10000191030	10000191067	10000191127	
Without PTO control switch  <a href="#">Link: Accessories Mounting instructions</a>	Ø6	10000131110	10000131101	10000131218	10000131261	
	1/4"	10000191110	10000191101	10000191218		

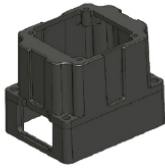
\* Control devices with blocks are devices "with preset positions" according to European Directive on machinery 2006/42/EC, Annex 1 of which identifies the essential health and safety requirements that apply to machines, among which, for control devices, those provided for by subparagraph 3.3.1. The manufacturer of the machine is responsible, on an exclusive basis, for the choice and use of these control devices in the different kinds of hydraulic machines and the relevant risk assessment in order to determine the health and safety requirements which apply to the machine.

10000270038



H=50 mm

10000270047

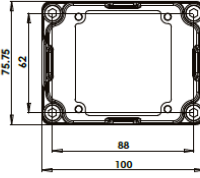


H=80 mm

10000270154

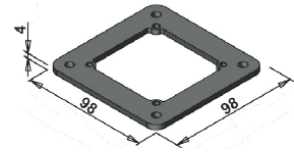


H=88 mm



External support

10000270074



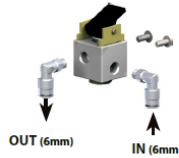
Flange on dashboard

10000270065



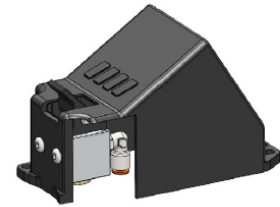
Bracket external mounting. With this kit you can also fit a pneumatic switch to control other auxiliary applications.

10000260101



2-ways pneumatic switch to be coupled with our bracket P/N 10000270065.

MOUNTING

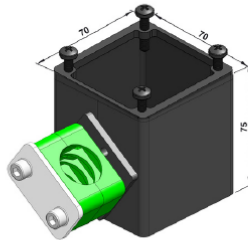


P/N

Description

10000270181  
Handle  
Ø 22 mm  
10000270056  
Handle  
Ø 25 mm

Fixing N-FORCE kit to cabin handle  
**FIXED**

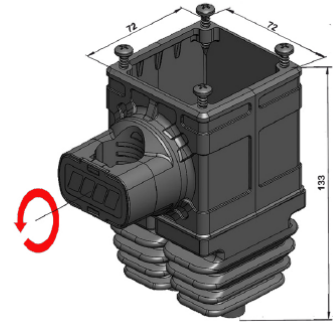


P/N

Description

10000270627  
Handle  
Ø 22 mm  
10000270636  
Handle  
Ø 25 mm

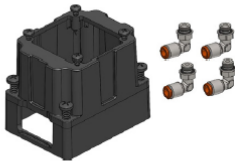
Fixing N-FORCE kit to cabin handle  
**ADJUSTABLE**



P/N

Description

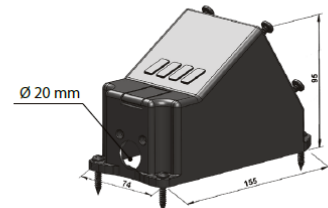
10000270029  
Bracket kit for N-Force control H=80+ 1/8 pipe 6 fittings



P/N

Description

10000270163  
Bracket external mounting with rear hole fore pipe.



P/N

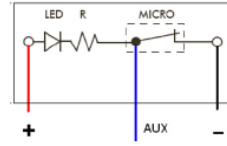
Description

10000260156  
Pressure signal switch assembly.

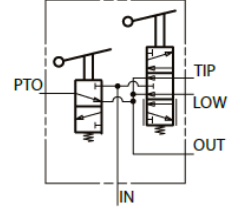


COMPACT air proportional cab switch with full integrated lever to control both PTO engagement and body tipping/lowering. PTO lever c/w safety switch. With air fittings Ø6mm. Several versions available to meet any requirements.

Electric diagram

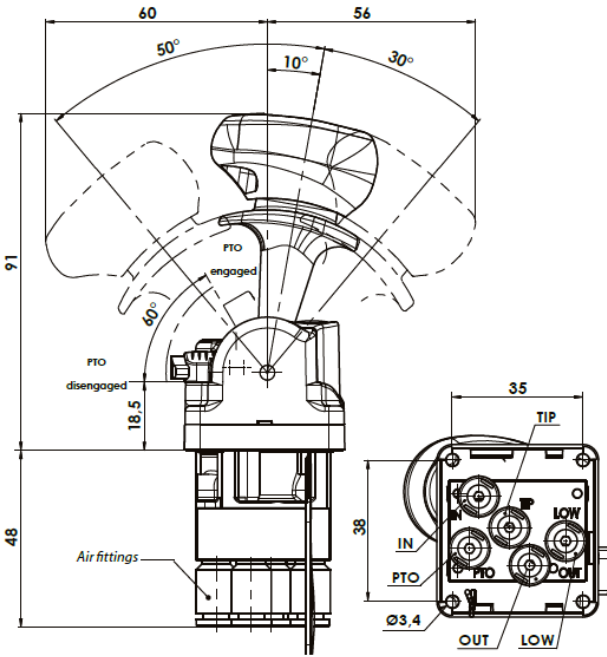


Functional diagram



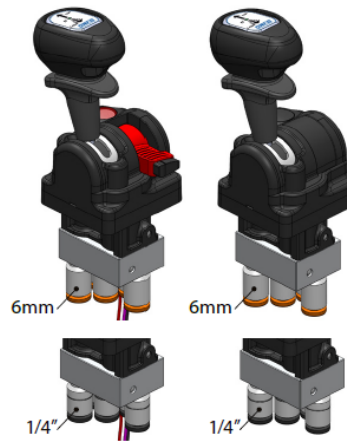
Fluid: air  
Working pressure: 12 bar max  
Temperature: -30°C / +80°C

Dimensions

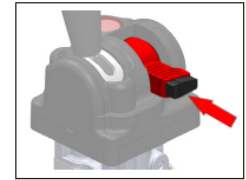


With PTO

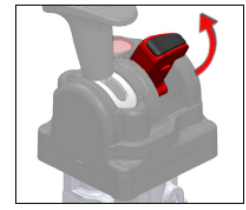
Without PTO



1) Push button



2) Rotate lever



PTO control switch

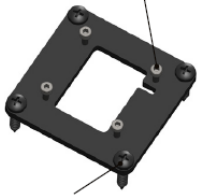
Order code

Available versions:		Raccordi aria tubo Air fittings	Lever return		
			Automatic "CE"	Manual (with low and tip block)	Manual (with low block)
With PTO control switch	Automatic PTO knock-off	Ø6	10002531003	10002531094	10002531209
		1/4"	10002591009	10002591090	10002591205
	Manual PTO knock-off	Ø6	10002531030	10002531067	10002531127
		1/4"	10002591036	10002591063	10002591125
Without PTO control switch		Ø6	10002531110	10002531101	10002531218
		1/4"	10002591116	10002591107	10002591214

\* Control devices with blocks are devices "with preset positions" according to European Directive on machinery 2006/42/EC, Annex 1 of which identifies the essential health and safety requirements that apply to machines, among which, for control devices, those provided for by subparagraph 3.3.1. The manufacturer of the machine is responsible, on an exclusive basis, for the choice and use of these control devices in the different kinds of hydraulic machines and the relevant risk assessment in order to determine the health and safety requirements which apply to the machine.

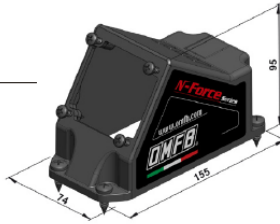
**10000270556**  
Bracket with screws

N°4 Screws  
TCE M3x16 UNI 5931

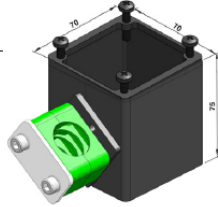


N°4 Screws  
4.8x25 ISO 7049

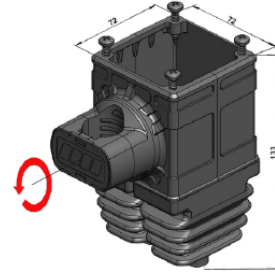
Bracket, to be combined with ...



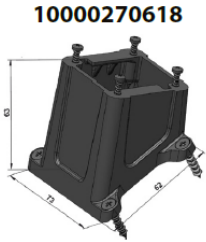
**10000270065**  
Bracket external mounting



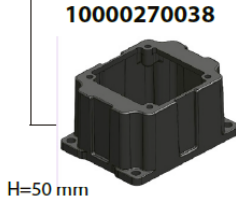
**FIXED**  
**10000270181**  
Handle Ø 22 mm  
**10000270056**  
Handle Ø 25 mm



**ADJUSTABLE**  
**10000270627**  
Handle Ø 22 mm  
**10000270636**  
Handle Ø 25 mm

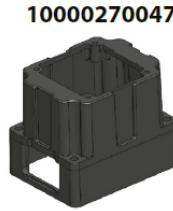


**10000270618**



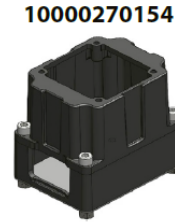
**10000270038**

H=50 mm



**10000270047**

H=80 mm



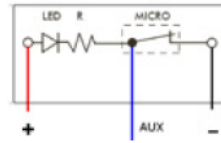
**10000270154**

H=88 mm

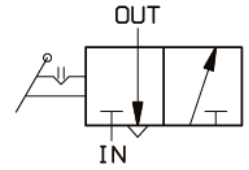
Technical features:

- pneumatic switch 3/2
- maximum pressure 12 bar
- engineering compound body
- integrated air fittings (Ø6mm or Ø1/4")
- switch and built-in signal LED for PTO control (only for models P/N 10000100515 and 10000108517)

Electric diagram

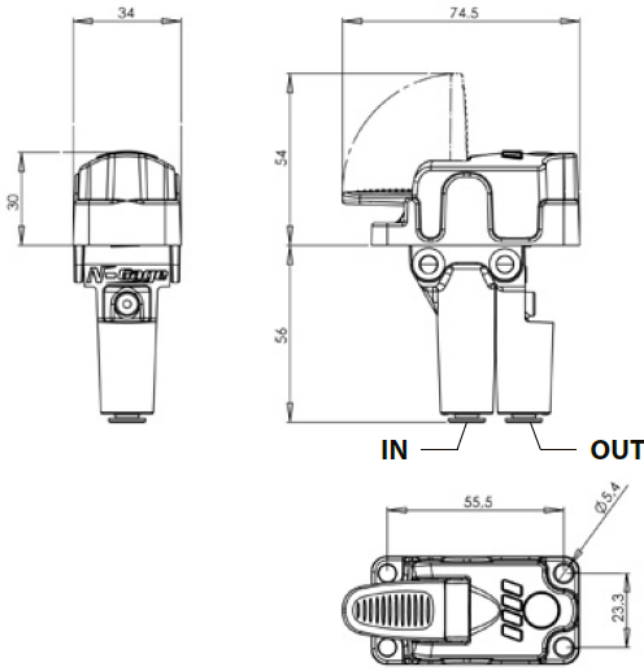


Functional diagram

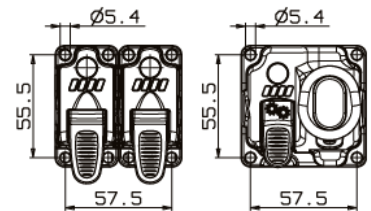


Fluid: air  
Working pressure: 12 bar max  
Temperature: -30°C / +80°C



Dimensions



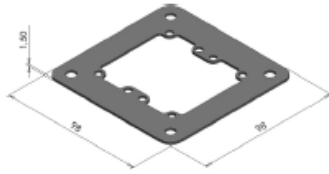
Assembling compatible with  
N-FORCE air control



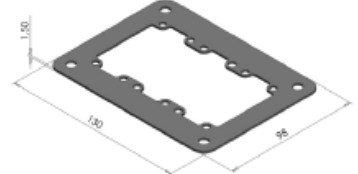
Order code

With lamp	Without lamp
	
<b>10000100515</b> (IN - OUT 6mm)	<b>10000100524</b> (IN - OUT 6mm)
<b>10000108517</b> (IN - OUT 1/4")	<b>10000108526</b> (IN - OUT 1/4")

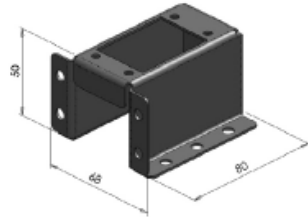
P/N	Description
10000270109	2-ways square fixing plate kit for N-GAGE2



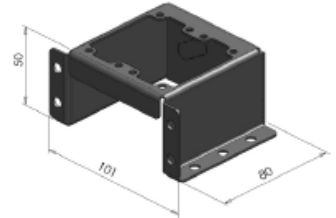
P/N	Description
10000270118	3-ways square fixing plate kit for N-GAGE2



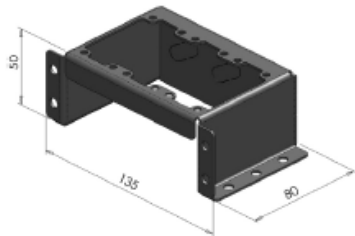
P/N	Description
10000270127	1-way mounting bracket kit for N-GAGE2



P/N	Description
10000270136	2-ways mounting bracket kit for N-GAGE2



P/N	Description
10000270145	3-way mounting bracket kit for N-GAGE2



P/N	Description
10000270092	Bracket kit





The OMFB Dual Tipper Control Systems have two (2) **N-Force** series joystick levers to operate both Truck hoist and Trailer hoist with single **N-Gage** on/off switches for PTO, Truck & Trailer Tailgate and Dolly Lock. The Control box is available in heights 200mm (AIRTD003) and (AIRTD004) 300mm.



### The Dual Tipper Control Kit comes with the following:

- 2 x N-Force Joystick Controls
- 2 x N-Gage Black single switches
- 2 x N-Gage Red single switches
- 1 x Pedestal Box with mounts
- 1 x Air Fittings
- 2 x Nylon Roll 25mtrs

The joystick control lever operates the air shift cylinder on tipping hoist control valve. The joystick lever has three positions to control the valve to operate the tipping hoist to raise, hold and lower. The **N-Force** tipper control is spring loaded to automatically return to the hold position when released from the raise or lowering positions.

To move the joystick lever, lift the outer shell of the lever upwards from the centre detent holding position. When moving the joystick into lower position there is an option for the PTO switch to non-automatic disengage, talk to our sales department for more information.

All N-Gage switches are single acting on/off switches. The **RED** on/off **N-Gage** switch has an internal pressure switch for light signal for when engaged once wired up.

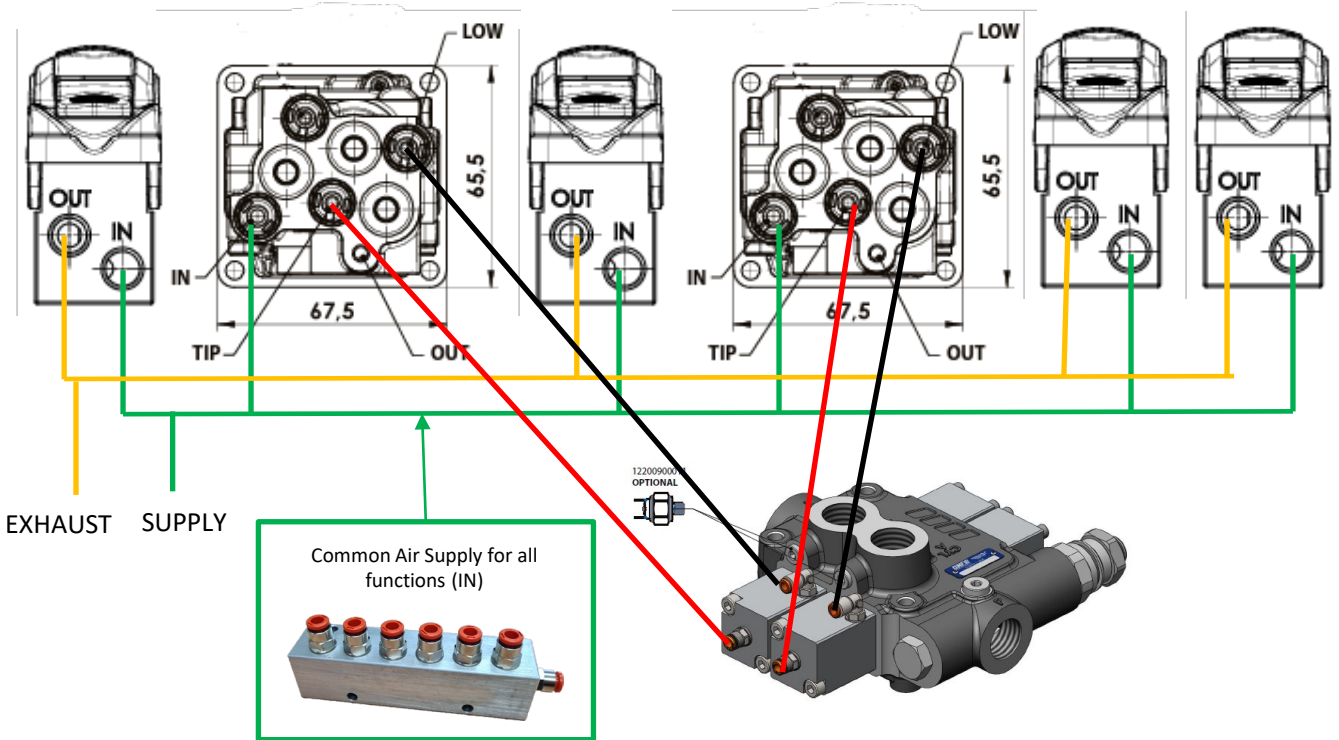
If all Dual Tipper Control Kits Heavy Hydraulics provides airline and fittings to suit 6mm or ¼" airline.

**Heavy Hydraulics OMFB control systems** are available in a number of variations, for more details please contact us.

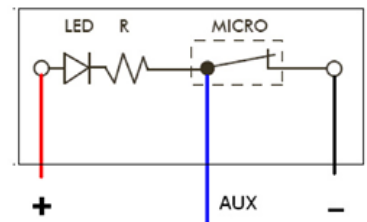
**NOTE:** It is highly recommended to install the following equipment:

- Inline air filter to avoid damage or contamination to the control system.
- Holdback or Pressure Protection Valves must be installed on a air supply tank to supply air to controls.

**SCHEMATIC**

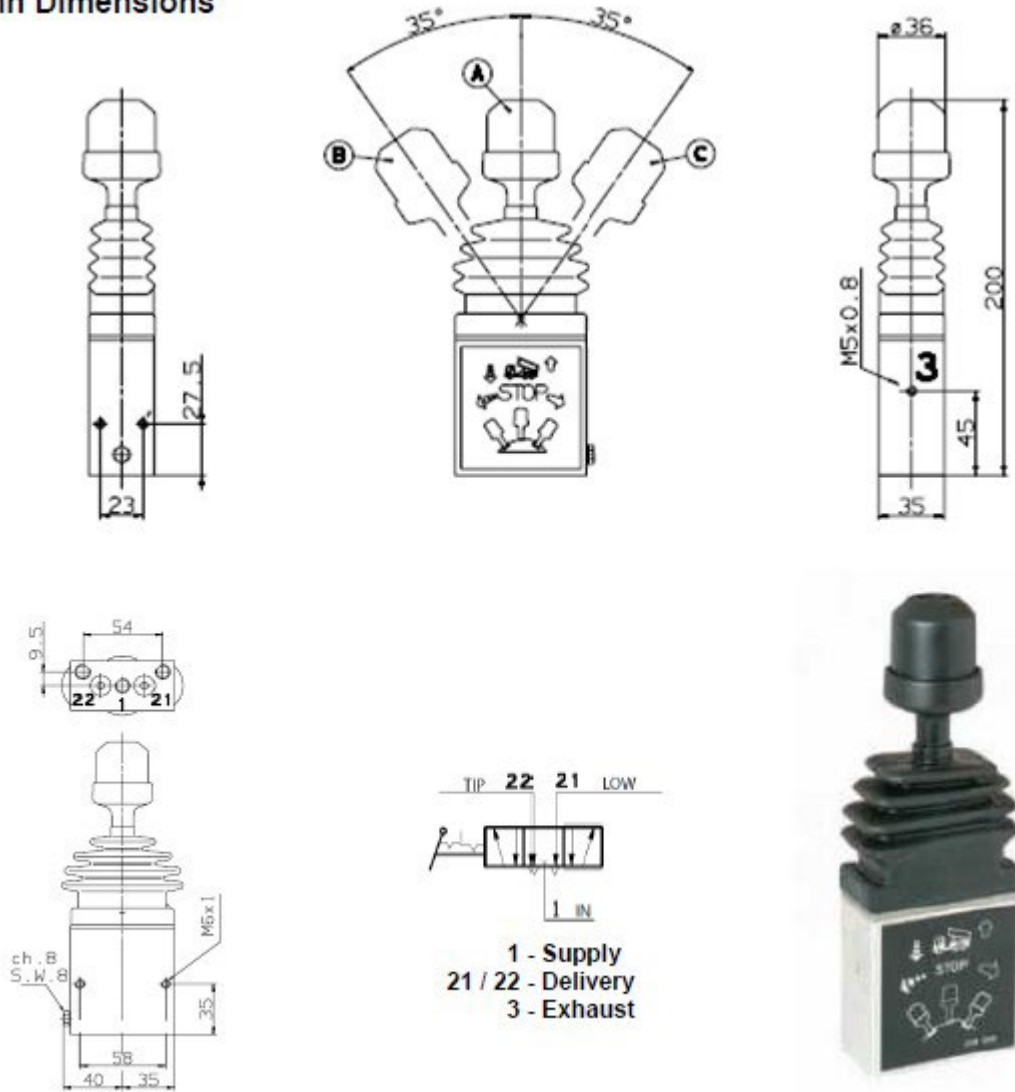


**Electric diagram**



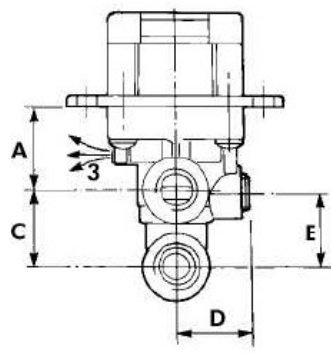
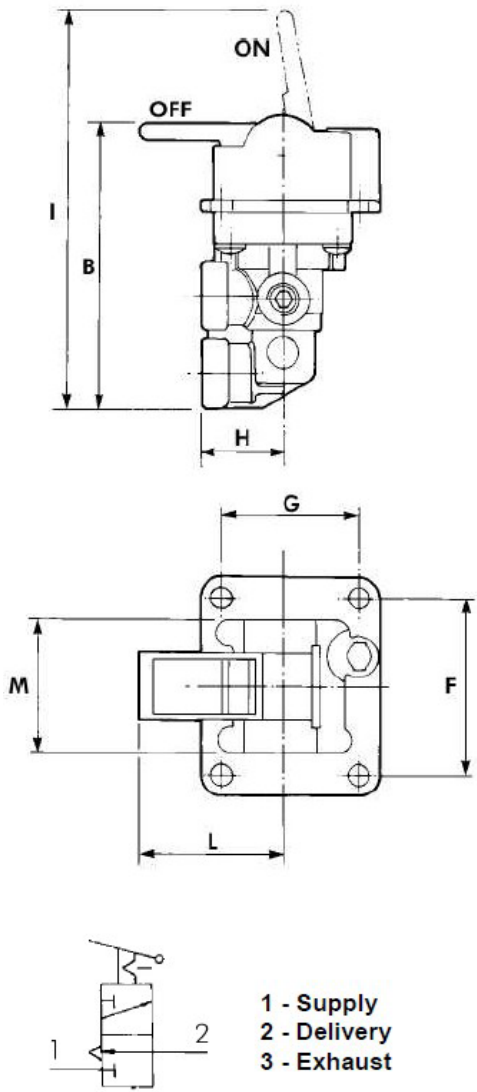
Main Data	
Working medium	Air
Operating pressure (bar)	12
Working temperature	40°C / + 80°C

Main Dimensions



(Dimensions in mm)

Main Data	
Working medium	Air
Operating pressure (bar)	10
Working temperature	-30°C / +80°C
Thread ports	G1/8"
Weight (kg)	0.6



- A. 25 mm
- B. 84 mm
- C. 23 mm
- D. 33 mm
- E. 22 mm
- F. 52 mm
- G. 40 mm
- H. 24 mm
- I. 117 mm
- L. 42 mm
- M. 40 mm



(Dimensions in mm)

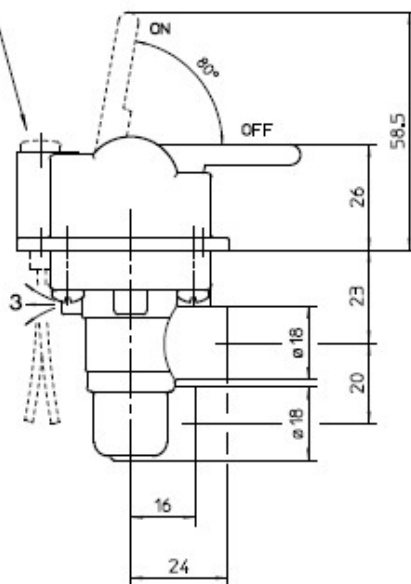
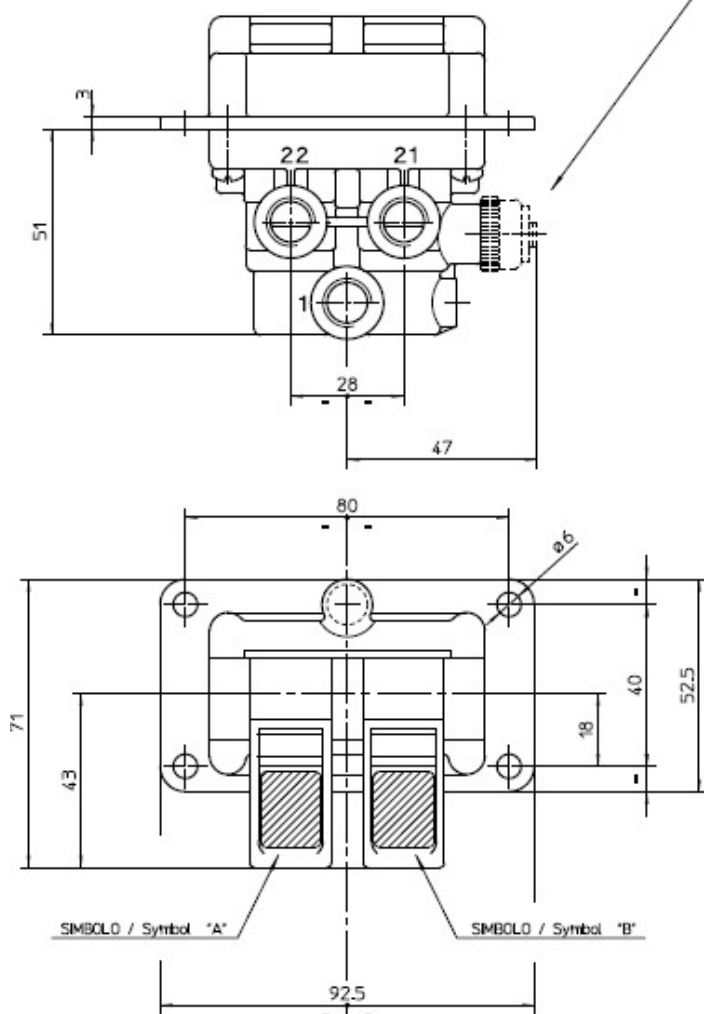
Main Data	
Working medium	Air
Operating pressure (bar)	12
Working temperature	-40°C / +80°C
Nominal diameter (mm)	3
Thread Ports	G1/8"
Weight (kg)	0.15



1800 022 831  
[www.heavyhydraulics.com.au](http://www.heavyhydraulics.com.au)

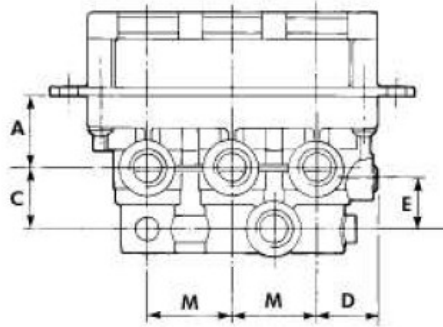
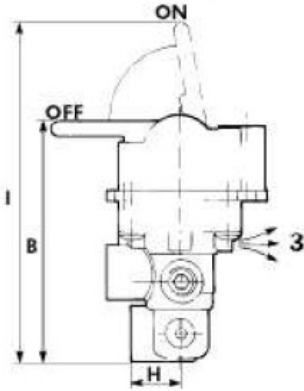
INDICATORE DI PRESSIONE E SPIA CON  
ATTACCHI A SPINA LAMELLARE 6.3x0.8

pressure switch connection and  
warning light male terminals 6.3x0.8

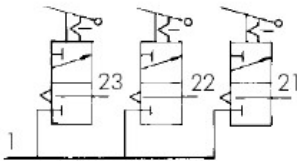
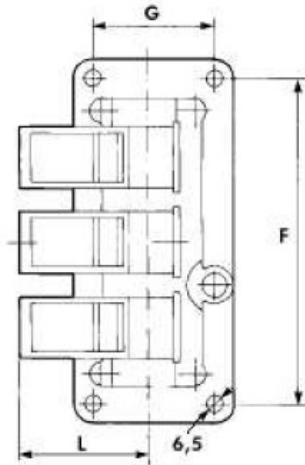


- 1 = ALIMENTAZIONE supply
- 21-22 = UTILIZZAZIONE delivery
- 3 = SCARICO exhaust

Main Data	
Working medium	Air
Operating pressure (bar)	12
Working temperature	-40°C / +80°C
Nominal diameter (mm)	3
Thread Ports	G1/8"
Weight (kg)	0.23



- A. 23 mm
- B. 78 mm
- C. 20 mm
- D. 33 mm
- E. 17 mm
- F. 108 mm
- G. 40 mm
- H. 16 mm
- I. 111 mm
- L. 42 mm

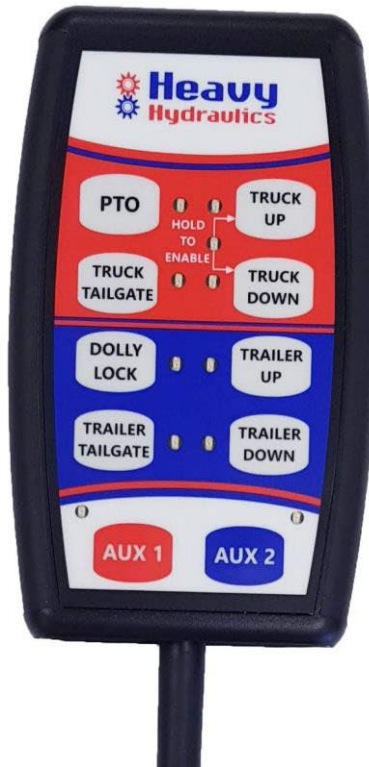


1 - Supply  
 21 / 22 / 23 - Delivery  
 3 - Exhaust

(Dimensions in mm)

Main Data	
Working medium	Air
Operating pressure (bar)	12
Working temperature	-40°C / +80°C
Nominal diameter (mm)	3
Thread Ports	G1/8"
Weight (kg)	0.31

Truck & Dog Control System



Keypad Backlighting

The Heavy Hydraulics Electronic Air Pendant Controller is a smart control module for truck and trailer operation and is a perfect solution for vehicles with confined spacing to allow ease of accessibility to the operator.

The Pendant Control Module has a microprocessor internally that allows the operator to control all the functions in either a momentary or latching position and can be changed to suit your needs.

The U.V. Resistance Keypad is made of a high-performance soft-touch membrane with a life cycle of more than 3 million presses, it is made to withstand the environmental conditions we see today. The quality membrane is also backlit to allow better visibility 24/7.

The Pendant Control is a multi-volt unit that offers stability in the 12V and 24V connections, even for those vehicles that operate at higher voltages without any technical complications.

PRODUCT FEATURES:

- Stability in the 12V and 24V connection
- High-Performance U.V Resistance Keypad
- Keypad Backlighting
- Coiled Cable
- Enhanced output drivers and protection
- EMF protection



1800 022 831  
[www.heavyhydraulics.com.au](http://www.heavyhydraulics.com.au)



In the heart of Italy, nestled within the rolling hills of Tuscany, lies the innovative hub of Sistematica, a beacon of excellence in the realm of industrial Radio Remote Controls. Established in 1987 as a humble Electronic Engineering company, Sistematica quickly rose to prominence with its commitment to quality, service, and innovation. Over the years, the company's mission remained steadfast - to provide professional, high-quality solutions while respecting environmental and social responsibility. This ethos guided Sistematica through decades of evolution and transformation, propelling it to the forefront of the industry.

In 1995, Sistematica unveiled its first Radio Remote Control for the agricultural sector, marking a pivotal moment in its journey. As the years passed, the company continued to push the boundaries of innovation, introducing groundbreaking technologies such as SAFETY POINT™ and TILTING HAND™. These innovations revolutionized safety and protection in the workplace, cementing Sistematica's reputation as a pioneer in the field. With each new advancement, the company's commitment to customer satisfaction and technological excellence remained unwavering.

Fast forward to the present day, and Sistematica stands as a testament to Italian craftsmanship and ingenuity. The introduction of the SMARTLINE range in 2020 propelled remote control technology into the modern era, integrating smart connectivity systems and online management capabilities. As the company looks towards the future, it continues to innovate and adapt, with new products and safety solutions on the horizon. With its ISO9001:2015 certification and a legacy of excellence, Sistematica remains dedicated to shaping the future of industrial Radio Remote Controls, one innovation at a time.



Our handheld devices, made from durable material, boast an ergonomic rubber shell for better grip. Customizable serigraphs enable branding, while safety features with LED indicators ensure real-time feedback on system operation. Prioritizing safety, our devices include features like WIRED remotes and Safety Point technology. With 10 mm diameter keys and a backlit keypad, usability is enhanced in any situation.



## SIGNAL wired pendant



Unlike traditional WIRED remotes that interface directly with the vehicle's utilities, the SIGNAL handheld device interacts with the customer's electronics, which then connect to the utilities. Featuring a sleek black serigraph with standard backlighting, it boasts cut-resistant PUR spiral wiring measuring 60 cm in length and extendable up to 2 meters, terminated with 6 stripped wires.

TECHNICAL FEATURES	
KEYS	up to 4
DIMENSIONS (H x W x D)	109 x 56 x 30 mm
POWER SUPPLY	10 - 30 Vdc ± 10%
MAXIMUM CURRENT PER OUTPUT	100 mA
MAXIMUM TOTAL CURRENT	150 mA
OPERATING TEMPERATURE	from -20°C to +55°C

## BRAVO wired pendant

Our WIRED remote features a standard backlit keypad with three LEDs indicating power (green), digital input (red), and extra-current anomaly (yellow). Designed for driving inductive loads like solenoid valves, it includes freewheeling diodes on the outputs. With a 60cm 7-wire spiral cable connecting to the vehicle, extendable up to 2 meters, it eliminates the need for a controller.

TECHNICAL FEATURES	
KEYS	up to 4 + START/STOP
DIMENSIONS (H x W x D)	109 x 56 x 30 mm
POWER SUPPLY	10 - 30 Vdc ± 10%
MAXIMUM CURRENT PER OUTPUT	4A
MAXIMUM TOTAL CURRENT	8A
OPERATING TEMPERATURE	from -20°C to +55°C

STANDARD CONFIGURATIONS	
2 KEYS	4 KEYS
2 OUTPUTS	4 OUTPUTS
1 INPUT	1 INPUT



## CANWIRE wired pendant



The CANBUS wired control comes with durable PUR spiral wiring, featuring a 4-wire stripped termination customisable to various applications. With a length of 60cm, extendable up to 2 meters, it offers versatility. Additionally, it can be easily connected to a receiver for enhanced functionality.

TECHNICAL FEATURES		
KEYS	up to 14 + START/STOP (max 4 CHANGE PAGE)	
DIMENSIONS (H x W x D)	EASYCAN	109 x 56 x 30 mm
	TRENDSCAN	165 x 80 x 40 mm
	TRENDSCAN	180 x 80 x 40 mm (with E-STOP)
POWER SUPPLY	10 - 30 Vdc ± 10%	
OPERATING TEMPERATURE	from -20°C to +55°C	



## EASY Radio control

The radio control offers up to 6 keys with a customisable keypad, allowing users to choose between numbers, arrows, or symbols. It features LEDs that indicate battery status, radio transmission presence, and any SafetyPoint activation. Additionally, it comes standard with a twilight sensor.



TECHNICAL FEATURES	
KEYS	Up to 6 + START/STOP
ISM FREQUENCY	868 / 915 / 433 MHz
POWER	* 2 AAA 1.5V alkaline batteries
STAND-BY ABSORPTION	approximately 5 µA
AVERAGE ABSORPTION DURING TRANSMISSION	25 mA
OPERATING TEMPERATURE	from -20°C to +55°C
DIMENSIONS (H X W X D)	109 x 56 x 30 mm 122 x 56 x 43 mm (with E-STOP)



## NIMBLE Radio control

The Radio Control features a 2-function keypad, offering customization options with numbers or arrows. It includes two standard LEDs to indicate low battery and radio transmission status. It is exclusively compatible with the CNTR4 controller.



TECHNICAL FEATURES	
KEYS	2 + START/STOP
ISM FREQUENCY	ISM 868 / 915 / 433 MHz
POWER	2 AAA 1.5V alkaline batteries
STAND-BY ABSORPTION	approximately 5 µA
AVERAGE ABSORPTION DURING TRANSMISSION	25 mA
OPERATING TEMPERATURE	from -20°C to +55°C
DIMENSIONS (H X W X D)	109 x 56 x 30 mm

## Introducing the NEW Blaze Hard Wired Electronic Pendant Control

In today's automotive landscape, maximizing space is crucial. We recognize the significance of providing compact and effective solutions that seamlessly integrate into any vehicle while maintaining safety standards. That's why we're excited to unveil the NEW Blaze Hard Wired Electronic Pendant Control – your solution for precise control, effortless installation, and full safety compliance.

The Blaze represents a compact yet robust solution for all your control requirements. Engineered with space limitations in mind, it boasts a straightforward installation process, perfect for vehicles with limited space. Despite its space-saving design, functionality remains paramount, offering a range of features for complete control at your fingertips.

### Key Features:

- Backlit keypad with 8 function keys
- Equipped with a 60 cm 10-wire standard spiral cable, extendable up to 120 cm
- Option to include an E-STOP feature
- Includes 4 LEDs indicating power (green and red), and a flashing LED for generic anomalies from pressing START until the end of the activity.



TECHNICAL FEATURES	
KEYS	8 + START/STOP
DIMENSIONS (H x W x D)	165 x 80 x 40 mm
	180 x 80 x 40 mm (with E-STOP)
POWER SUPPLY	10 - 30 Vdc ± 10%
MAXIMUM CURRENT PER OUTPUT	3A
MAXIMUM TOTAL CURRENT	6A
OPERATING TEMPERATURE	from -20°C to +55°C

STANDARD CONFIGURATIONS	
8 OUTPUTS	
1 INPUT	
1 trading 1 OUTPUT	

### Truck & Dog Tipper Control:

Available now is the NEW custom control suited for a Truck & Dog Tipper application.



### Mounting Bracket:

Customise your control setup further with our optional mounting bracket for added convenience.



# TREND Radio control

This remote offers up to 14 keys, providing versatility to manage up to 56 commands using the PAGE CHANGE function (up to 4 pages). LEDs indicate battery status, radio transmission presence, and potential SafetyPoint activation. A twilight sensor comes as standard.



TECHNICAL FEATURES	
KEYS	up to 14 + START/STOP
ISM FREQUENCY	868 / 915 / 433 MHz
POWER	* 2 AA 1.5V alkaline batteries
STAND-BY ABSORPTION	approximately 10 µA
AVERAGE ABSORPTION DURING TRANSMISSION	30 mA
OPERATING TEMPERATURE	from -20°C to +55°C
DIMENSIONS (H X W X D)	165 x 80 x 40 mm
	180 x 80 x 40 mm (with E-STOP)

*i* The emergency button and/or charging station, along with specific batteries, are available as kits on demand.



# EGO Radio control



The EGO remote control boasts a graphic LCD screen and customisable keypads, offering full programmability. Its batteries are rechargeable using a designated station/support provided as a standard part of its kit.

TECHNICAL FEATURES	
COMMANDS	Customizable
ISM FREQUENCY	ISM 868 / 915 / 433 MHz
POWER SUPPLY	LI-PO battery 3.7Vdc
STAND-BY ABSORPTION	approximately 150 µA
AVERAGE ABSORPTION DURING TRANSMISSION	120 mA
OPERATING TEMPERATURE	from -20°C to +55°C
DIMENSIONS (H X W X D)	180 x 80 x 40 mm with E-STOP



# CUSTOMISE

Sistematica products offer customisation options tailored to your requirements. From safety collars to serigraph keypads and keys, you can personalise them with colours, logos, pictograms, or symbols (applicable to handhelds and receivers). Additionally, the LIGHT GUIDE feature is available upon request for CNTR8 and CNTR20 models, as is the option for a backlit keypad on handhelds. Moreover, you can activate either a BUZZER or VIBRACALL on the remotes, providing flexibility according to your preferences.



# CRADLES



The cradle with charging station is now offered on demand, serving as both a generic handheld holder and a charging station with a USB Type-C cable. It comes as part of a kit, complete with specific batteries tailored for TREND and EASY radio controls.





Product shown with customer supplied connector.



**Standard Models**

Model	Function	Electrical Connection	Port Size	Voltage	Position
7201-70	◆ 3/2 NC	19" Flying leads	(1/4" PIF)	12 VDC	A
7201-72	● 3/2 NC	19" Flying leads	(1/4" PIF)	24 VDC	A



**End Plates**

Model	Description	Position
7202-70	◆ Inlet Left Hand End Plate (3/8" PIF)	B
7203-70	◆ Cap Right Hand End Plate	C

**Technical data**

**Medium:**

Compressed air, filtered, lubricated, non-lubricated

**Operation:**

3/2 normally closed direct acting

**Solenoid:**

9–16 VDC or 20.4–26.4 VDC

7 Watts

**Port Size:**

3/8" Inlet – tube/push in fitting (PIF)

1/4" Outlet/Delivery – tube/push in fitting (PIF)

**Operation pressure:**

Maximum 150 psig (10.35 bar)

**Flow characteristics:**

3/8" Inlet Cv = 0.67

1/4" Delivery Cv = 0.14

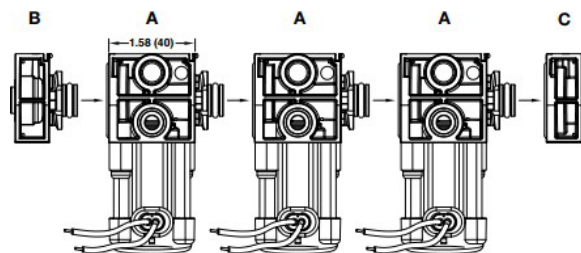
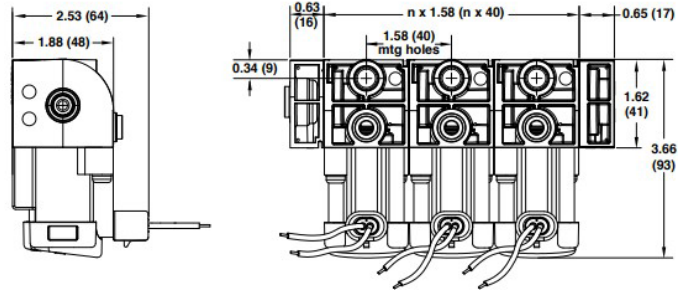
Minimum orifice size: 0.078"

**Temperature range:**

–40° to 220°F (–40° to 100°C)

**Materials**

**Dimensions (Inches)**



- > Port size: M12x1,5
- > Light weight
- > Compact design
- > “Twist & Lock” stackable feature
- > Mating with high quality TYCO HDSCS connector
- > Reliable coil winding wire connection without soldering
- > IP6K9K
- > Temperature up to +85°C
- > 100% leakage and function tested during manufacturing



**Technical features**

**Medium:**  
Truck compressed air  
**Operation:**  
Solenoid direct operated poppet valve - Normally Closed

**Operating pressure:**  
5 ... 10 bar (72 ... 145 psi)  
**Orifice:**  
2,1 mm

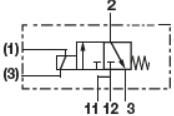
**Operating temperature:**  
-40 ... +85°C (-40 ... +185°F)  
Air supply must be dry enough to avoid ice formation at temperatures below +2°C (+35°F)

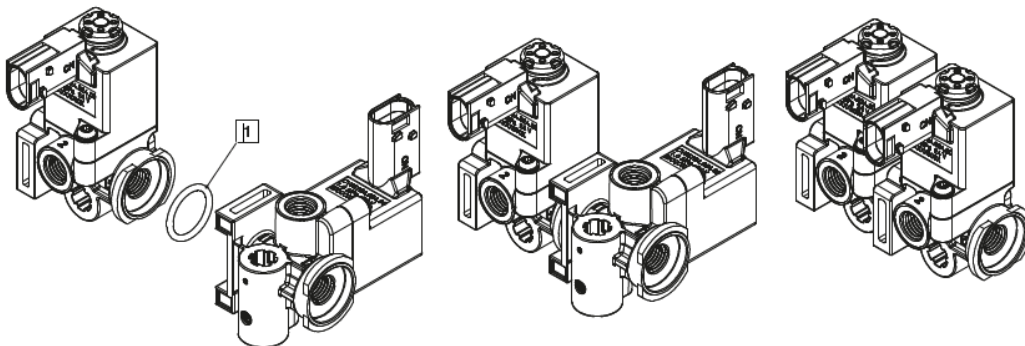
**Materials:**  
Valve base: PA glassfilled  
Coil: Copper wire  
Internal parts: Stainless steel  
Seals: HNBR

**Technical data – solenoid operators**

Nominal voltages	24V d.c. +8V /-4 V	Voltage range	20 ... 32V
Duty cycle	100% ED	Electrical connector	2 terminal Tyco HDSCS
Valve electrical connection mates with	TYCO connector 1-1418448-1	Mounting	Ø 9,0 mounting hole
		Fitting connection	3 x M12X1,5 female threads
		Opening response time	200 ms (0,1 lt volume to 90% of supply air pressure)
		Vibration	ISO 16750-3 test VII (CV chassis mounting)
		Life	0.6 million
		Protection class	IP6K9K

**Technical data - standard options**

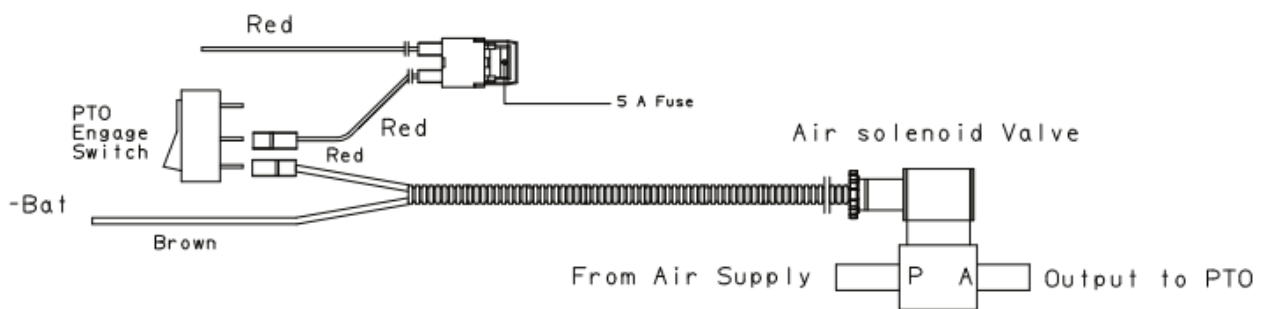
Symbol	Orifice	Power consumption	Flow rate @ 6 bar in, to atmosphere (20°C)	Weight	Model
	(mm)	(24 V @ 20°C coil temperature) (W)	P2 » P3 (l/min)	(kg)	
	ø 2,1	8,7	>200	0,226	CV35124.024.00





301-101-00401: Kit 24V PTO Electric loom kit for Air shift PTO's

301-101-00634: Kit 12V PTO Electric loom kit for Air shift PTO's

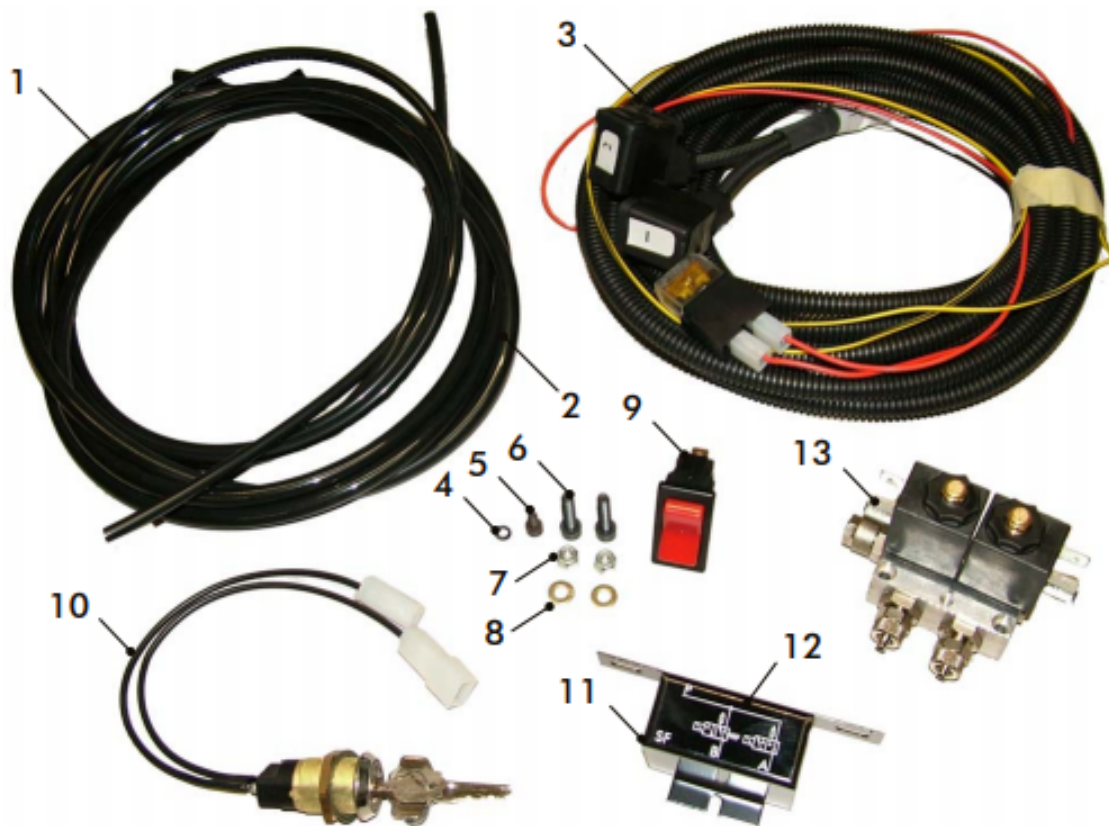


**301-107-00209: Kit 12V PTO depressione per impianto servofreno**

*Electric loom kit for vacuum shift PTO's - 12V*

**301-107-00405: Kit 24V PTO depressione per impianto servofreno**

*Electric loom kit for vacuum shift PTO's - 24V*



N°	Codice Code	Descrizione Description	Q.
1	100-010-00649	Tubo aria "PA-12" 6x4 nero Air pipe "PA-12" 6x4 black	2
2	100-010-00863	Tubo aria "PA-12" 8x6 nero Air pipe "PA-12" 8x6 black	2
3	306-001-01036	Impianto elettrico innesto a depressione Electric harness for vacuum shift PTO	1
4	501-008-00018	Rondella elastica x M4 Washer M4	1
5	502-013-00073	Vite TCE M4x8 TCE Screws M4x8	1
6	502-001-00353	Vite TCE M5x22 TCE Screws M5x22	2
7	505-010-00105	Dado M5 CH8 H6,5 Nut M5 CH8 H6,5	2
8	501-007-00037	Rondella piana x M5 Washer M5	2
9	122-011-00964	Pulsante 12V (301-107-00209) Switch 12V (301-107-00209)	1
	122-011-00973	Pulsante 24V (301-107-00405) Switch 24V (301-107-00405)	1
10	122-011-00553	Interruttore a chiave ON-OFF Key switch	1
11	513-001-00896	Etichetta Plate	1
12	538-004-00695	Carter protezione valvole Protection valve cover	1
13	100-019-00202	Gruppo elettrovalvole 12V (301-107-00209) Solenoid valve assembly 12V (301-107-00209)	1
	100-019-00220	Gruppo elettrovalvole 24V (301-107-00405) Solenoid valve assembly 24V (301-107-00405)	1