



POWER TAKE-OFF'S



Extensive range of OMFB Power Take-Offs (PTO) available to suit all types of transmissions manufactured in America, Europe and Japan.

AISIN	1.1
ALLSION	1.2
DETROIT	1.8
EATON	1.9
EATON FULLER	1.10
FUSO	1.11
HINO	1.12
ISUZU	1.13
MERCEDES	1.14
NISSIAN/UD	1.15
SCANIA	1.16
VOLVO/MACK	1.17
ZF	1.19
High Performance Multi Output PTOs	1.22

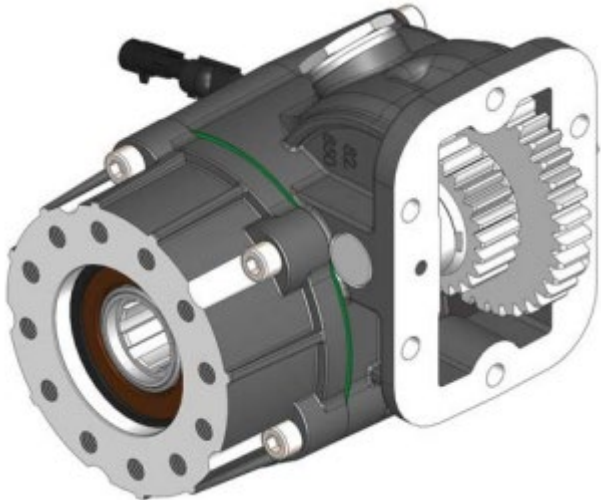
****All PTOs come with mounting kits to suit****

1800 022 831

www.heavyhydraulics.com.au

Side Mount Hotshift P.T.O.'s

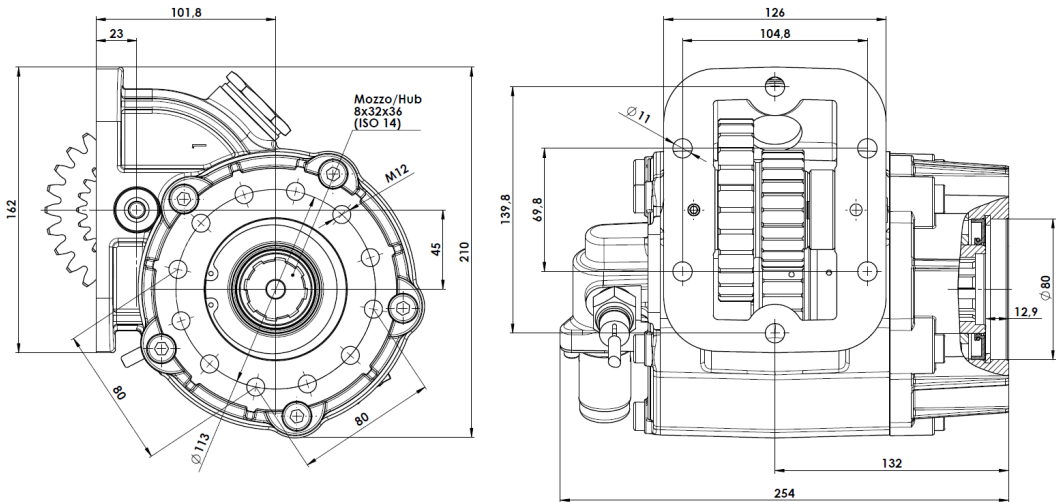
AISIN



Technical data

Gearbox type	PTO code		Internal ratio	Version	Pto ratio@1000 eng.rpm rpm	Max. torque Nm	Rotation	Output	Mounting side	Mounting kit	Weight kg
AISIN A460, A860E, MY400	PKAI010G70	24V	N/A	17	1020	300	Ccw	Rear	Left	15400303768 + 09401100303	24

Dimensions

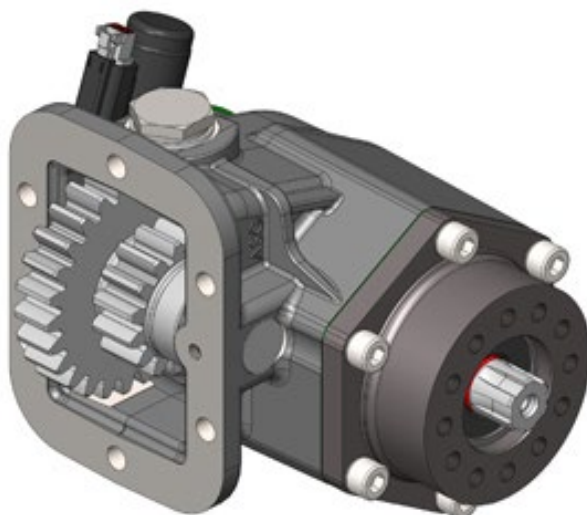


1800 022 831
www.heavyhydraulics.com.au



Side Mount Hotshift P.T.O.'s

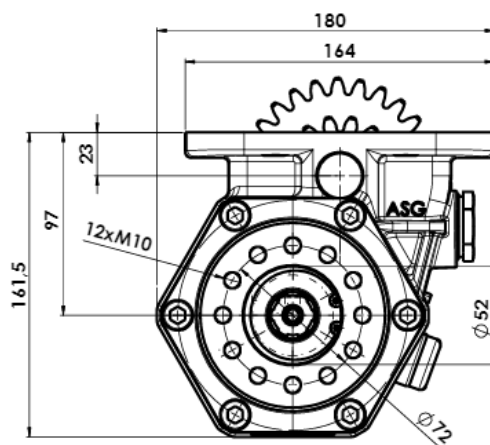
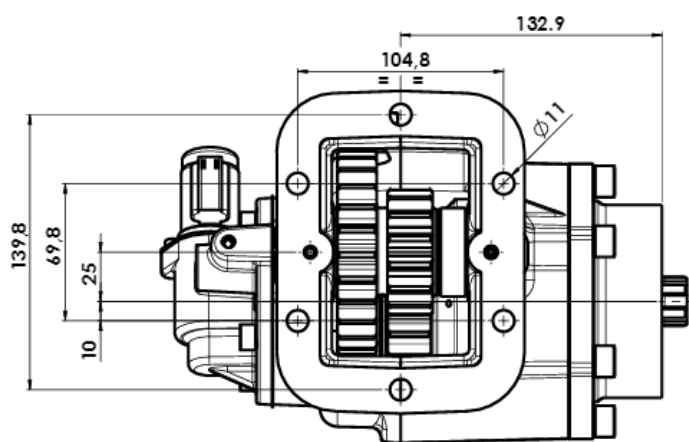
ALLISON



Technical data

Gearbox type	PTO code		Internal ratio	Version	Pto ratio@1000 eng.rpm rpm	Max. torque Nm	Rotation	Output	Mounting side	Mounting kit	Weight kg
ALLISON 1000-2000-2500 Left side	PKAL021G36	24V	1:1,368	17	1368	300	Ccw	Rear	Left	15400303133 + 09401100090	19

Dimensions

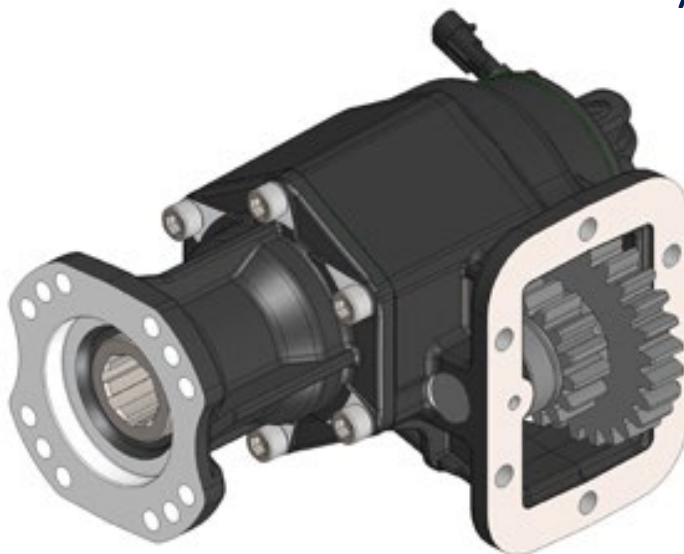


1800 022 831
www.heavyhydraulics.com.au



Side Mount Hotshift P.T.O.'s

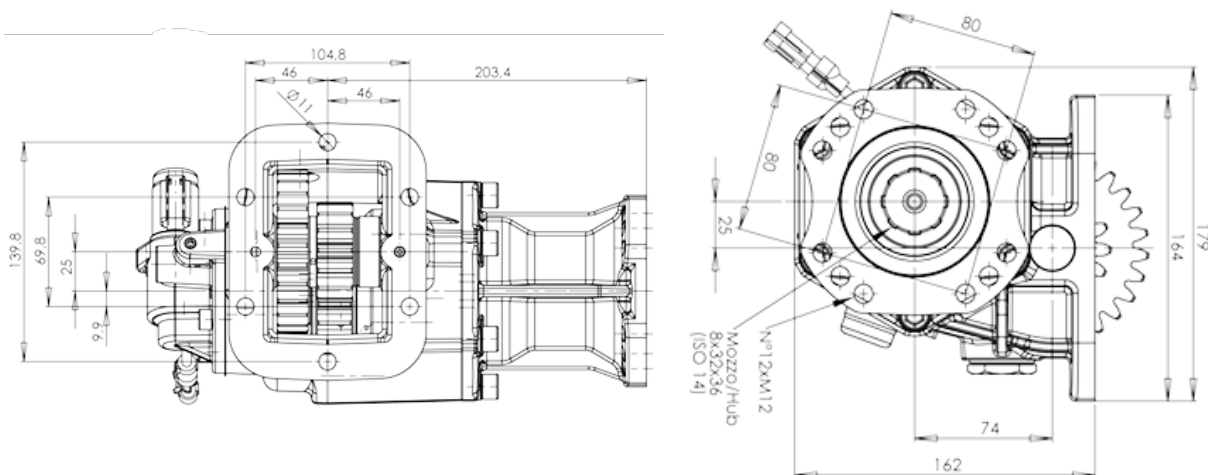
ALLISON



Technical data

Gearbox type	PTO code		Internal ratio	Version	pto ratio@1000 eng.rpm rpm	Max. torque Nm	Rotation	Output	Mounting side	Mounting kit	Weight kg
ALLISON 1000-2000-2500 Left side	PKAL021G70	24V	1:1,368	17	1368	300	Ccw	Rear	Left	15400303133 + 09401100090	19

Dimensions

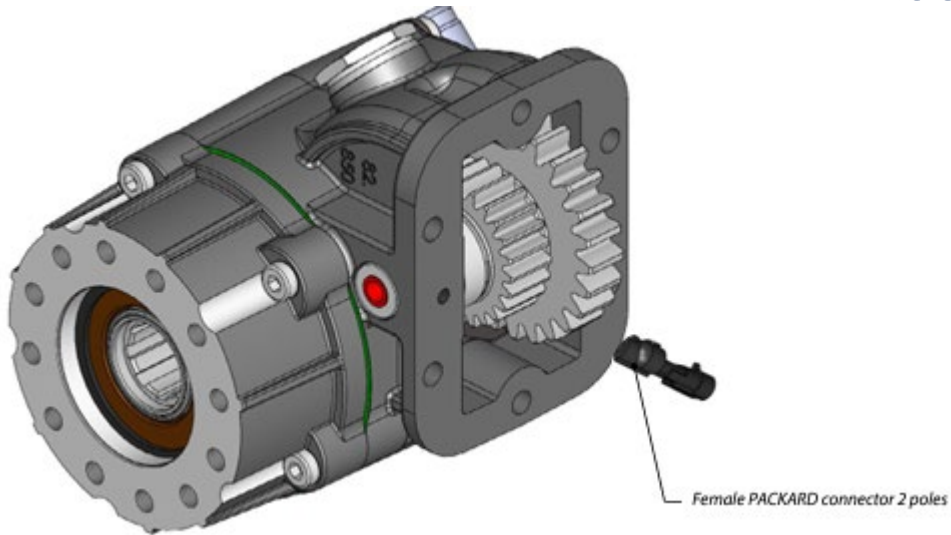


1800 022 831
www.heavyhydraulics.com.au



Side Mount Hotshift P.T.O.'s

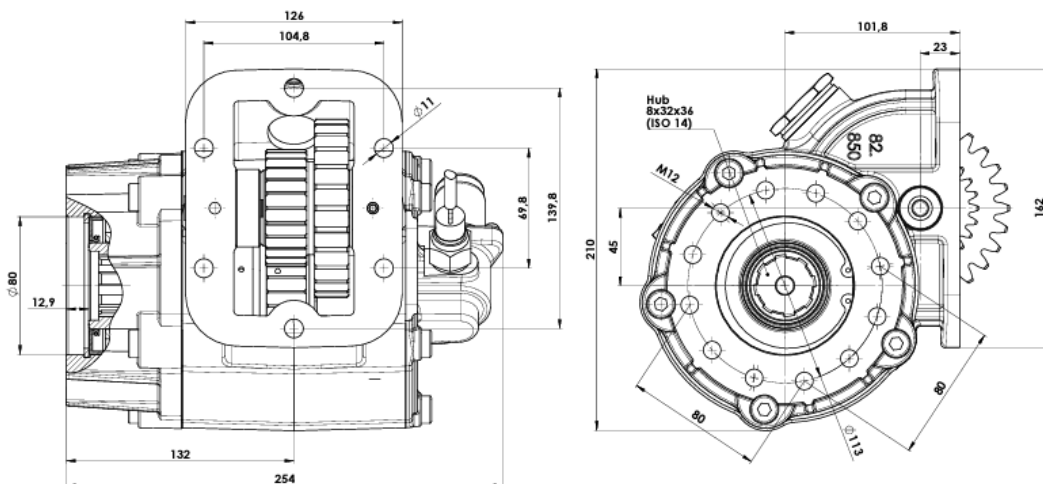
ALLISON



Technical data

Gearbox type	PTO code	Internal ratio	Version	Pto ratio@1000 eng.rpm rpm	Max. torque Nm	Rotation	Output	Mounting side	Mounting kit	Weight kg
	PKAL024G70	24V 1:1,338	1328	250						

Dimensions

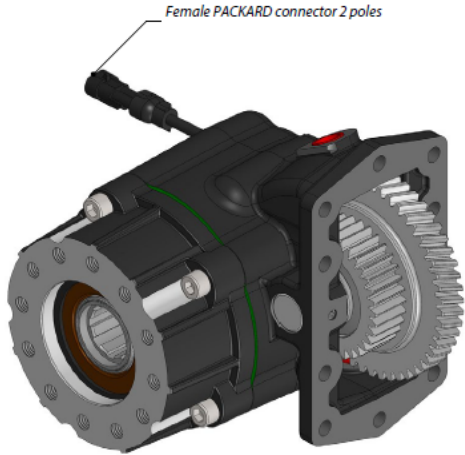


1800 022 831
www.heavyhydraulics.com.au



Side Mount 10 Bolt P.T.O.'s

ALLISON



Technical data

- Gearbox Allison
- Version 17
- Mounting side See page 7
- Output Rear
- Rotation Ccw
- Weight 24,5 Kg

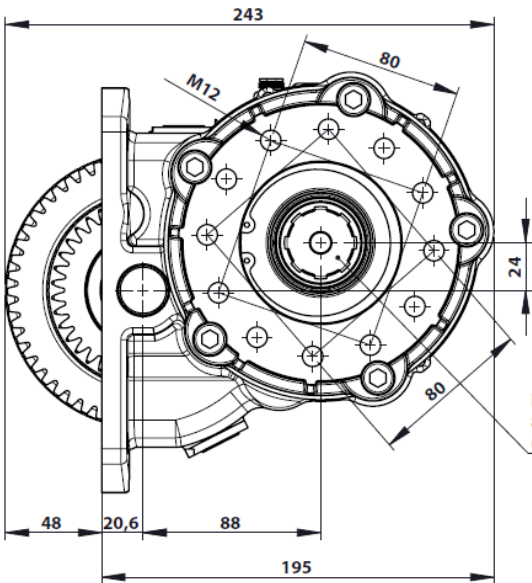
* Cross reference table

Teeth in PTO Driver	Transmission series
68 T	3000-3200-3500-3700 Series side/side PTO provision
83 T	3000-3200-3500-3700 Series side/top PTO provision
97 T	4000-4400-4500-4700-4800 Series side/top PTO provision

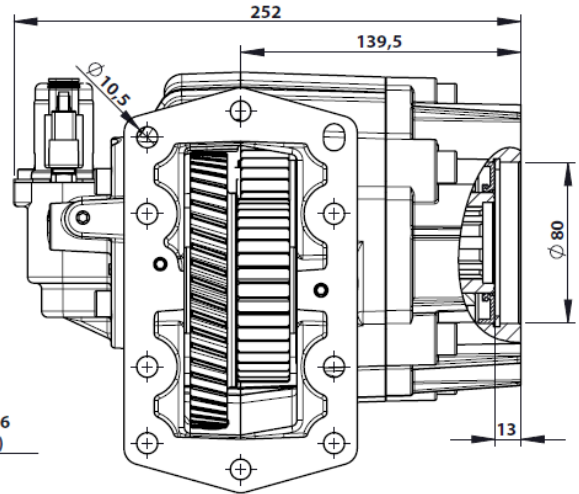
Code OMF	Nominal Torque (Nm)	Output speed (rpm) *			
		68 T **	83 T	97 T	
PKAL009F70	12V	450	1014	1238	1447
PKAL009G70	24V	450	1436	1753	2048
PKAL015F70	12V	450	1436	1753	2048
PKAL015G70	24V	450	1436	1753	2048

** Ratio code description

Dimensions



Hub
8x32x36
(ISO 14)

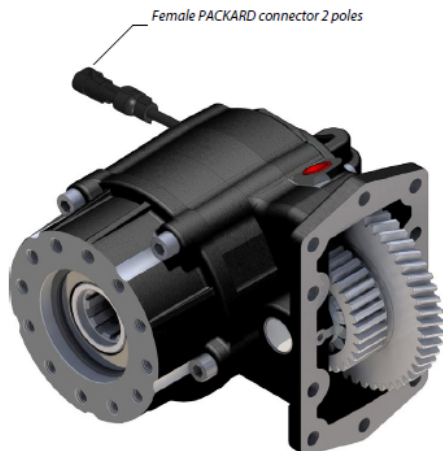


1800 022 831
www.heavyhydraulics.com.au



Side Mount 10 Bolt P.T.O.'s

ALLISON



* Cross reference table

Teeth in PTO Driver	Transmission series
68 T	3000-3200-3500-3700 Series side/side PTO provision
83 T	3000-3200-3500-3700 Series side/top PTO provision
97 T	4000-4400-4500-4700-4800 Series side/top PTO provision

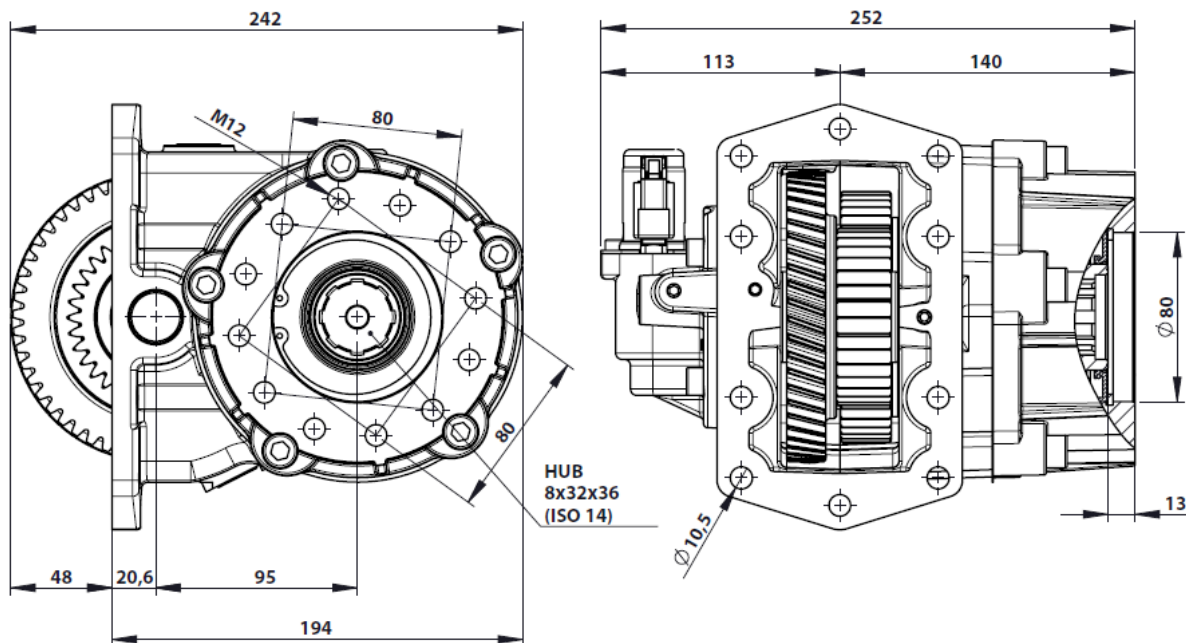
Technical data

- Gearbox Allison
- Version 17
- Mounting side See page 13
- Output Rear
- Rotation Ccw
- Weight 25 Kg

Code OMF		Nominal Torque (Nm)	Output speed (rpm) *		
			68 T **	83 T	97 T
PKAL003F70	12V	540	780	952	1112
PKAL003G70	24V				
PKAL005F70	12V	450	907	1107	1293
PKAL005G70	24V				
PKAL007F70	12V	450	1271	1552	1813
PKAL007G70	24V				

** Ratio code description

Dimensions



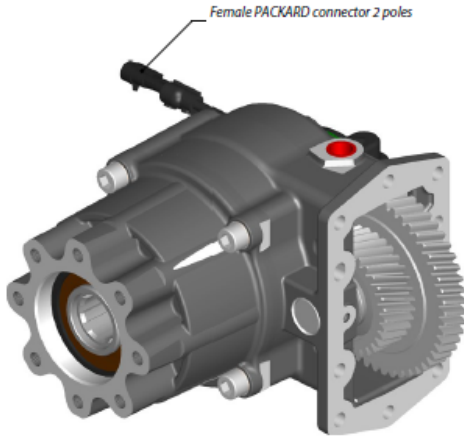
1800 022 831
www.heavyhydraulics.com.au



Heavy Duty Side Mount 10 Bolt P.T.O.'s

ALLISON

Technical data



- Gearbox
- Version
- Mounting side
- Output
- Rotation
- Weight

Allison
17
See page 19
Rear
Ccw
17 Kg

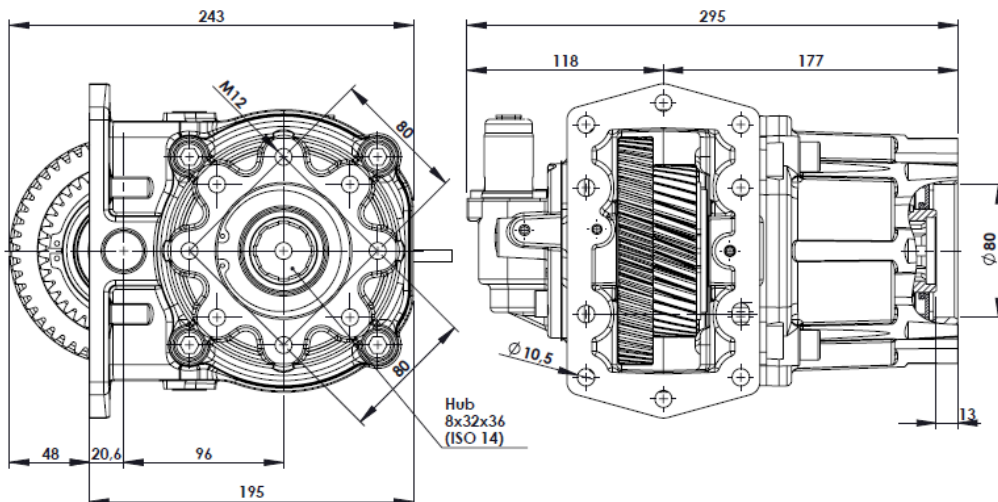
* Cross reference table

Teeth in PTO Driver	Transmission series
68 T	3000-3200-3500-3700 Series side/side PTO provision
83 T	3000-3200-3500-3700 Series side/top PTO provision
97 T	4000-4400-4500-4700-4800 Series side/top PTO provision

Code OMFB		Nominal Torque (Nm)	Output speed (rpm) *		
			68 T **	83 T	97 T
PKAL050F70	12V	810	844	1030	1203
PKAL050G70	24V				
PKAL052F70	12V	800	936	1143	1335
PKAL052G70	24V				
PKAL056F70	12V	710	1206	1472	1721
PKAL056G70	24V				
PKAL054F70	12V	760	1037	1266	1479
PKAL054G70	24V				
PKAL058F70	12V	640	1402	1711	1999
PKAL058G70	24V				

** Ratio code description

Dimensions

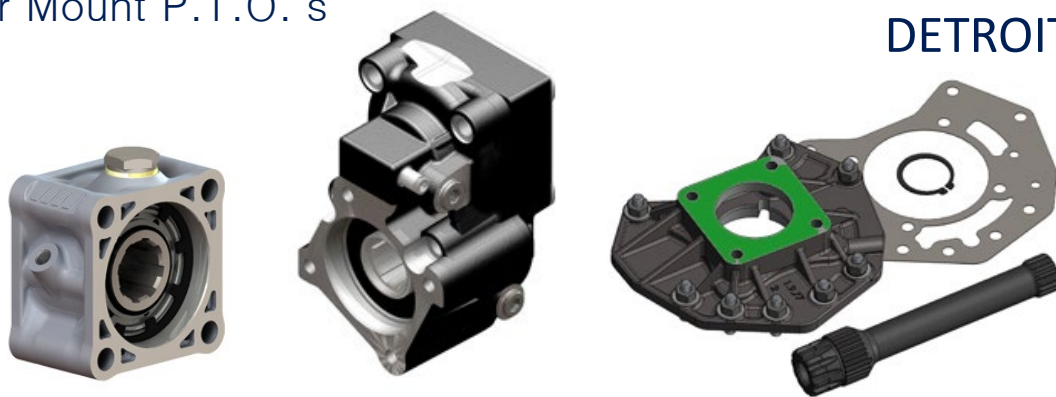


1800 022 831
www.heavyhydraulics.com.au



Rear Mount P.T.O.'s

DETROIT



Transmission	Model	Engagement Type	Max Torque Rating (Nm)	Mounting Position	Pump Rotation	Weight (Kg)
DT12-OC DT12-OD	PKDE013P70	Air Shift	700	Rear	Left Hand	8
	PKDE023P70	Air Shift	250	Rear	Right Hand	14
	PKDE033P70	Air Shift	450	Rear	Right Hand	16
	PKDE043P70	Air Shift	500	Rear	Right Hand	16

Product Features

- Output ratios vary depending on the transmission model.
- Various output interfaces: ISO, UNI and Flange.
- Viton outputs seal for high working temperatures.
- Onboard PTO engagement feedback switch to communicate with vehicle parameters.
- Air shifting.

All PTOs come with mounting kits to suit



1800 022 831
www.heavyhydraulics.com.au



Rear & Side Mount Air Shift P.T.O.'s

EATON



Transmission	Model	Engagement Type	Max Torque Rating (Nm)	Mounting Position	Pump Rotation	Weight (Kg)
ES11109	PKEA010P70	Air Shift	250	Rear	Right Hand	9
FS6109A	PKEA011P70	Air Shift	300	Rear	Right Hand	9
FS6209A	PKEA018P30	Air Shift	200	Left Side	Right Hand	10
FS6309A	PKEA018P40	Air Shift	200	Left Side	Left Hand	10
FS8209A	PKEA020P30	Air Shift	250	Left Side	Right Hand	11
FS5109A	PKEA007P70	Air Shift	250	Rear	Right Hand	9
FS5109 OD	PKEA007P70	Air Shift	250	Rear	Right Hand	9
FSO6109A	PKEA010P70	Air Shift	250	Rear	Right Hand	9
FSO6209A	PKEA011P70	Air Shift	300	Rear	Right Hand	9
FSO6309A	PKEA018P30	Air Shift	200	Left Side	Right Hand	10
FSO8209A	PKEA018P40	Air Shift HS	200	Left Side	Left Hand	10
FSO8309A	PKEA018P40	Air Shift HS	200	Left Side	Left Hand	10
FS6305A	PKEA023P30	Air Shift	250	Left Side	Right Hand	8

Product Features

- Output ratios vary depending on the transmission model.
- Various output interfaces: ISO, UNI and Flange.
- Viton outputs seal for high working temperatures.
- Onboard PTO engagement feedback switch to communicate with vehicle parameters.
- Pneumatic shifting.

****All PTOs come with mounting kits to suit****



1800 022 831
www.heavyhydraulics.com.au



Side Mount Air Shift P.T.O.'s

EATON FULLER



Transmission	Model	Engagement Type	Max Torque Rating (Nm)	Mounting Position	Pump Rotation	Weight (Kg)
FO, RT, RTF, RTLO and RTO	PKFU004P30	Air Shift	320	Left Side	Left Hand	13
	PKFU004P70	Air Shift	300	Left Side	Left Hand	15
	PKFU010P30	Air Shift	320	Left Side	Left Hand	14
	PKFU004P40	Air Shift	320	Left Side	Right Hand	14
	PKFU010P40	Air Shift	320	Left Side	Right Hand	14
	PKFU005P30	Air Shift	300	Left Side	Left Hand	13
	PKFU005P70	Air Shift	300	Left Side	Left Hand	15
	PKFU022P70	Air Shift	400	Left Side	Left Hand	20
	PKFU023P70	Air Shift	380	Left Side	Left Hand	19
	PKFU024P70	Air Shift	570	Left Side	Left Hand	19
	PKFU024P70T	Air Shift	570	Left Side	Left/Right Hand	19
	PKFU026P70	Air Shift HS	450	Left Side	Left Hand	25
	PKFU028P70	Air Shift HS	400	Left Side	Left Hand	24
	PKFU016P30	Air Shift	300	Right Side	Right Hand	14

Product Features

- Hotshift Hydraulic Clutch System
- Numerous output ratios available.
- Various output interfaces: 1-1/4" Keyed, SAE "B", ISO, UNI and Flange.
- Viton outputs seal for high working temperatures.
- Compact housing to eliminate clearance issues.
- Onboard PTO engagement feedback switch to communicate with vehicle parameters.
- Pneumatic shifting.

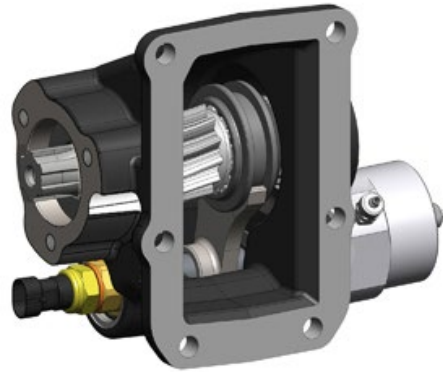


1800 022 831
www.heavyhydraulics.com.au



Side Mount P.T.O.'s

FUSO



Transmission	Model	Engagement Type	Max Torque Rating (Nm)	Mounting Position	Pump Rotation	Weight (Kg)
M015S5	PKMI002V30	Vacuum Shift	150	Left Side	Right Hand	7
M025S5	PKMI005V30	Vacuum Shift	150	Left Side	Left Hand	7
M035S5	PKMI008V30	Vacuum Shift	200	Left Side	Left Hand	7
M035S6						
M036S5	PKMI026V30	Vacuum Shift	200	Left Side	Left Hand	8
M036S6						
M038S5	PKMI028V30	Vacuum Shift	150	Left Side	Left Hand	8
M038S6						
M050S5	PKMI010P30	Air Shift	280	Left Side	Left Hand	12
M050S6						
M060S5	PKMI011P30	Air Shift	280	Left Side	Left Hand	12
M060S6						
M060S6-OD Pre Jan 2011						
M060S6-OD Post Jan 2011	PKMI020P30	Air Shift	250	Left Side	Left Hand	12
M060S0-D	PKMI012P30	Air Shift	250	Left Side	Left Hand	12
M070S0-D						
M070S0-OD	PKMI017P30	Air Shift	250	Left Side	Left Hand	12

Product Features

- Output ratios vary dependent of transmission model.
- Various output interfaces: ISO, UNI and Flange.
- Viton outputs seal for high working temperatures.
- Onboard PTO engagement feedback switch to communicate with vehicle parameters.
- Air and Vacuum shifting.

All PTOs come with mounting kits to suit



1800 022 831
www.heavyhydraulics.com.au



Side Mount P.T.O.'s

HINO



Transmission	Model	Engagement Type	Max Torque Rating (Nm)	Mounting Position	Pump Rotation	Weight (Kg)
H260	PKHI037V30	Vacuum Shift	200	Left Side	Left Hand	11
H261						10
H350	PKHI039V30	Vacuum Shift	200	Left Side	Left Hand	10
H351	PKHI042V30	Vacuum Shift	190	Left Side	Left Hand	10
LF05S	PKHI027P30	Air Shift	200	Left Side	Left Hand	12
LF06S						12
LJ06S	PKHI033P30	Air Shift	250	Left Side	Left Hand	12
LX06S	PKHI044P30	Air Shift	220	Left Side	Left Hand	12
LX06S AMT						13
M009	PKHI046P70	Air Shift	400	Left Side	Left Hand	13
M550	PKHI011V30	Vacuum Shift	250	Left Side	Left Hand	11
MF06S	PKHI035P30	Air Shift	250	Left Side	Right Hand	13
MX06	PKHI048P70	Air Shift	250	Left Side	Right Hand	15
MX07						14
RE50	PKHI029V30	Vacuum Shift	250	Left Side	Left Hand	14
RE61	PKHI030V30	Vacuum Shift	250	Left Side	Left Hand	12

Product Features

- Output ratios vary depending on the transmission model.
- Various output interfaces: ISO, UNI and Flange.
- Viton outputs seal for high working temperatures.
- Onboard PTO engagement feedback switch to communicate with vehicle parameters.
- Air shifting.

****All PTOs come with mounting kits to suit****



1800 022 831
www.heavyhydraulics.com.au



Side Mount P.T.O.'s

ISUZU



Transmission	Model	Engagement Type	Max Torque Rating (Nm)	Mounting Position	Pump Rotation	Weight (Kg)
MJX12P	PKIS035P70	Air Shift	300	Left Side	Left Hand	12
MJX16P	PKIS038P70	Air Shift	400	Left Side	Left Hand	20
MLD6D	PKIS009P30	Air Shift	280	Left Side	Left Hand	16
MLD7Q						
MLD6Q	PKIS016P30	Air Shift	280	Left Side	Left Hand	17
MY-5S	PKIS029V30	Vacuum Shift	200	Left Side	Left Hand	10
MY-5T	PKIS020V30	Air Shift	400	Left Side	Left Hand	10
MY-6P						
MY-6S						
MZW-6P	PKIS042P70	Air Shift	320	Left Side	Left Hand	18
MZX-6P	PKIS040P30	Air Shift	250	Left Side	Left Hand	12
MZZ-6F	PKIS025P30	Air Shift	250	Left Side	Left Hand	12

Product Features

- Output ratios vary depending on the transmission model.
- Various output interfaces: ISO, UNI and Flange.
- Viton outputs seal for high working temperatures.
- Onboard PTO engagement feedback switch to communicate with vehicle parameters.
- Air and Vacuum shifting.

All PTOs come with mounting kits to suit

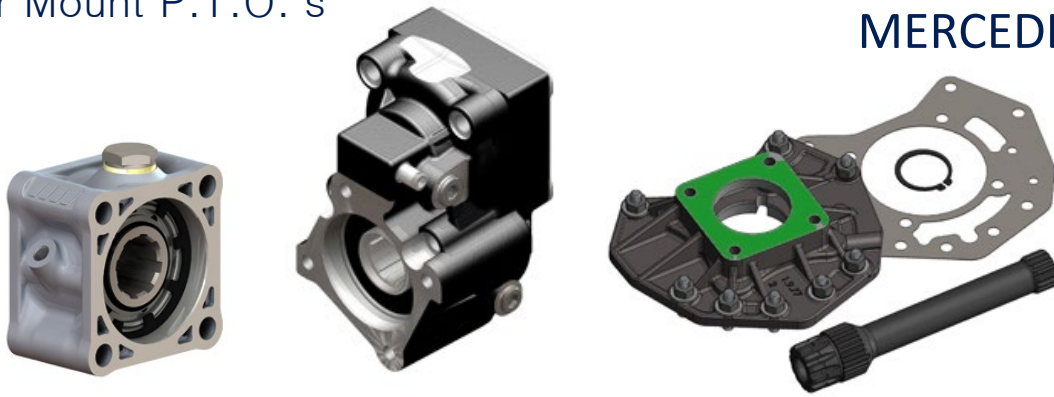


1800 022 831
www.heavyhydraulics.com.au



Rear Mount P.T.O.'s

MERCEDES



Transmission	Model	Engagement Type	Max Torque Rating (Nm)	Mounting Position	Pump Rotation	Weight (Kg)
G85-6	PKME007P70	Air Shift	250	Rear	Right Hand	10
G100-12	PKME006P70	Air Shift	330	Rear	Right Hand	10
G210-16 G230-16 Post Jul 1991	PKME013P70	Air Shift	700	Rear	Left Hand	8
G211-12 G281-12 G211-16 G231-16 G241-16 G230-12 G240-16 G280-16 G330-12						
	PKME014P70	Air Shift	250	Rear	Right Hand	14
	PKME017P70	Air Shift	400	Rear	Right Hand	16
G210-16 G230-16 Post Jul 1991	PKME019P70	Air Shift	700	Rear	Left Hand	8
G211-12 G281-12 G240-16 G280-16 G330-12 Retarder (VOITH)						
	PKME020P70	Air Shift	250	Rear	Right Hand	14
	PKME023P70	Air Shift	400	Rear	Right Hand	16

Product Features

- Output ratios vary depending on the transmission model.
- Various output interfaces: ISO, UNI and Flange.
- Viton outputs seal for high working temperatures.
- Onboard PTO engagement feedback switch to communicate with vehicle parameters.
- Air shifting.

****All PTOs come with mounting kits to suit****



1800 022 831
www.heavyhydraulics.com.au



Side Mount P.T.O.'s

NISSIAN/UD



Transmission	Model	Engagement Type	Max Torque Rating (Nm)	Mounting Position	Pump Rotation	Weight (Kg)
MLS61A	PKNI017P30	Air Shift	200	Left Side	Left Hand	12.5
MLS61B						
MLS62B						
MLS63B						
MPS62T	PKNI016P30	Air Shift	220	Left Side	Right Hand	11
MPS63B	PKNI022P30	Air Shift	220	Left Side	Right Hand	11
MRT21A	PKNI018P30	Air Shift	250	Left Side	Left Hand	16

Product Features

- Output ratios vary depending on the transmission model.
- Various output interfaces: ISO, UNI and Flange.
- Viton outputs seal for high working temperatures.
- Onboard PTO engagement feedback switch to communicate with vehicle parameters.
- Air shifting.

****All PTOs come with mounting kits to suit****

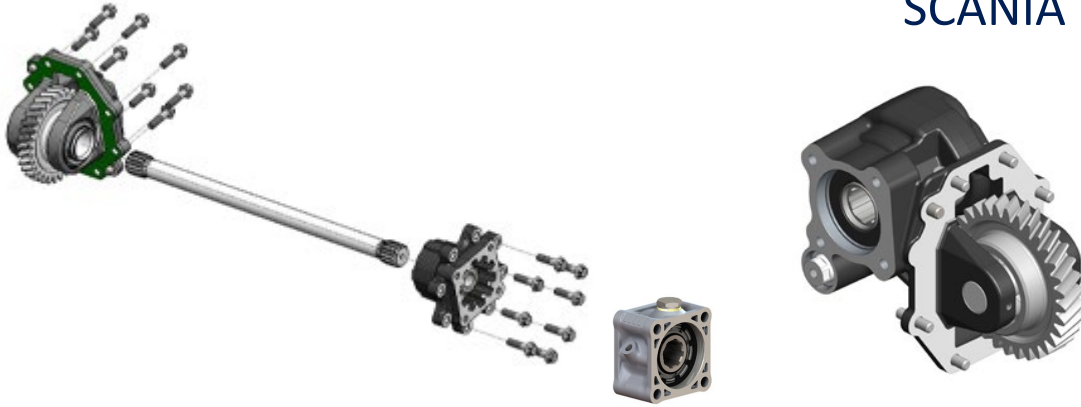


1800 022 831
www.heavyhydraulics.com.au



Rear & Side Mount P.T.O.'s

SCANIA



Transmission	Model	Engagement Type	Max Torque Rating (Nm)	Mounting Position	Pump Rotation	Weight (Kg)
GR900	PKSC023P30	Air Shift	250	Right Side	Left Hand	14
GR905	PKSC032P70	Air Shift	990	Rear	Right Hand	20
	PKSC014P70	Air Shift	450	Right Side	Left Hand	17
GRS890 GRS900 GRS900R GRS920 GRS920R	PKSC024P30	Air Shift	260	Right Side	Left Hand	14
GRS905 GRS905R	PKSC032P70	Air Shift	990	Rear	Right Hand	20
	PKSC014P70	Air Shift	400	Right Side	Left Hand	17
GRSO900	PKSC032P30	Air Shift	250	Right Side	Left Hand	14
GRSO905 GRS0905R GRS925 GRS925R	PKSC018P70	Air Shift	350	Right Side	Left Hand	18
	PKSC056P70	Air Shift	620	Rear	Right Hand	20
	PKSC060P70	Air Shift	620	Rear	Right Hand	20

Product Features

- Output ratios vary depending on the transmission model.
- Various output interfaces: ISO, UNI and Flange.
- Viton outputs seal for high working temperatures.
- Onboard PTO engagement feedback switch to communicate with vehicle parameters.
- Air shifting.

All PTOs come with mounting kits to suit



1800 022 831
www.heavyhydraulics.com.au



Rear Mount P.T.O.'s

VOLVO



Transmission	Model	Engagement Type	Max Torque Rating (Nm)	Mounting Position	Pump Rotation	Weight (Kg)
R61 R62 MR61 MR62 MR62B	PKVO003P30	Air Shift	300	Rear	Left Hand	8
R1000 R1400 R1700 R1900 SR1400 SR1700 SR1900 SR2000 SRO2400 VT2014 VT2214B VT2514B VT2814B VT2412B VTO2214B VTO2514B VTO2814B	PKVO028P70	Air Shift	600	Rear	Left Hand	8
	PKVO018P70	Air Shift	250	Rear	Right Hand	12
	PKVO019P70	Air Shift	450	Rear	Right Hand	14
	PKVO029P70	Air Shift	350	Rear	Right Hand	14
	PKVO039P70	Air Shift	500	Rear	Right Hand	14

Product Features

- Output ratios vary depending on the transmission model.
- Various output interfaces: ISO, UNI and Flange.
- Viton outputs seal for high working temperatures.
- Onboard PTO engagement feedback switch to communicate with vehicle parameters.
- Air shifting.

****All PTOs come with mounting kits to suit****

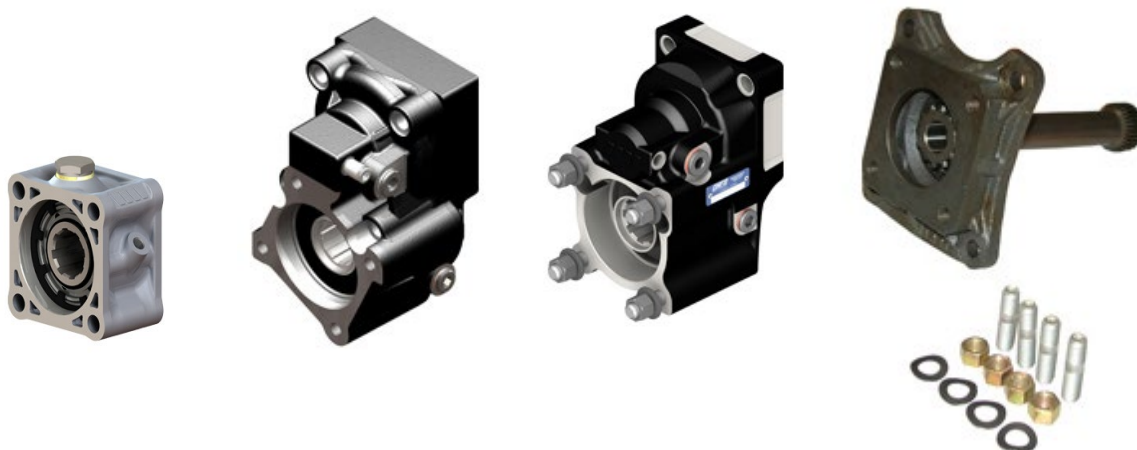


1800 022 831
www.heavyhydraulics.com.au



Rear Mount P.T.O.'s

VOLVO



Transmission	Model	Engagement Type	Max Torque Rating (Nm)	Mounting Position	Pump Rotation	Weight (Kg)
AT2412AT AT2412C AT2412D AT2412E	PKVO034P70	Air Shift	800	Rear	Left Hand	8
AT2512AT AT2512C AT2612D AT2612F AT2812D AT2812F	PKVO024P70	Air Shift	250	Rear	Right Hand	12
ATO2612D ATO2612F ATO3112C ATO3112D ATO3112F ATO3512D	PKVO025P70	Air Shift	450	Rear	Right Hand	14
	PKVO035P70	Air Shift	350	Rear	Right Hand	14
	PKVO045P70	Air Shift	500	Rear	Right Hand	14

Product Features

- Output ratios vary depending on the transmission model.
- Various output interfaces: ISO, UNI and Flange.
- Viton outputs seal for high working temperatures.
- Onboard PTO engagement feedback switch to communicate with vehicle parameters.
- Air shifting.

****All PTOs come with mounting kits to suit****



1800 022 831
www.heavyhydraulics.com.au



Rear Mount P.T.O.'s



ZF

Transmission	Model	Engagement Type	Max Torque Rating (Nm)	Mounting Position	Pump Rotation	Weight (Kg)
6AS-800 TO 6S-800 TO 6AS-1000 TO 6S-1000 TO	PKZF020P70	Air Shift	800	Rear	Left Hand	2
	PKZF065P70	Air Shift	250	Rear	Right Hand	9
9S-1110 TO 9S-1310 TO	PKZF053P70	Air Shift	600	Rear	Left Hand	7
	PKZF028P70	Air Shift	250	Rear	Right Hand	13
	PKZF068P70	Air Shift	400	Rear	Right Hand	14
	PKZF071P70	Air Shift	330	Rear	Right Hand	14
	PKZF086P70	Air Shift	430	Rear	Right Hand	14
12AS-1210 TO	PKZF059P70	Air Shift	800	Rear	Left Hand	7
	PKZF045P70	Air Shift	250	Rear	Right Hand	14
	PKZF095P70	Air Shift	400	Rear	Right Hand	15
	PKZF095P70H	Air Shift	400	Rear	Right Hand	15

Product Features

- Output ratios vary depending on the transmission model.
- Various output interfaces: ISO, UNI and Flange.
- Viton outputs seal for high working temperatures.
- Onboard PTO engagement feedback switch to communicate with vehicle parameters.
- Air shifting.

All PTOs come with mounting kits to suit

Continue to next page for more ZF PTOs



1800 022 831
www.heavyhydraulics.com.au



Rear Mount P.T.O.'s

ZF



Transmission	Model	Engagement Type	Max Torque Rating (Nm)	Mounting Position	Pump Rotation	Weight (Kg)
12AS-1930 TD	PKZF076P70	Air Shift	990	Rear	Left Hand	6
12AS-1630 TD	PKZF037P70	Air Shift	250	Rear	Right Hand	10
12AS-2130 TD		Air Shift	500	Rear	Right Hand	11
12AS-2330 TD	PKZF064P70	Air Shift	500	Rear	Right Hand	11
12AS-2540 TD	PKZF064P70H	Air Shift	500	Rear	Right Hand	11
12AS-1930 TO		Air Shift	340	Rear	Right Hand	11
12AS-2130 TO	PKZF077P70	Air Shift	340	Rear	Right Hand	11
12AS-2330 TO	PKZF077P70H	Air Shift	500	Rear	Right Hand	11
12AS-2530 TO		Air Shift	500	Rear	Right Hand	11
16AS-2601 TO	PKZF087P70H	Air Shift	990	Rear	Left Hand	6
16AS-2630 TO		Air Shift	250	Rear	Right Hand	10
12AS-2301 TD	PKZF078P70	Air Shift	250	Rear	Right Hand	11
12AS-2331 TD	PKZF039P70	Air Shift	400	Rear	Right Hand	11
12AS-2301 TO		Air Shift	400	Rear	Right Hand	11
12AS-2330 TD	PKZF079P70	Air Shift	400	Rear	Right Hand	11
12AS-2331 TO	PKZF079P70H	Air Shift	500	Rear	Right Hand	11
16AS-2631 TO		Air Shift	500	Rear	Right Hand	11
Intarder	PKZF089P70H	Air Shift				

Product Features

- Output ratios vary depending on the transmission model.
- Various output interfaces: ISO, UNI and Flange.
- Viton outputs seal for high working temperatures.
- Onboard PTO engagement feedback switch to communicate with vehicle parameters.
- Air shifting.

Continue to next page for more ZF PTOs

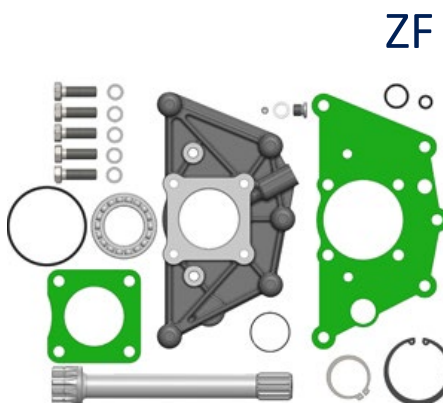
All PTOs come with mounting kits to suit



1800 022 831
www.heavyhydraulics.com.au



Rear Mount P.T.O.'s



Transmission	Model	Engagement Type	Max Torque Rating (Nm)	Mounting Position	Pump Rotation	Weight (Kg)
12TX-2820 TO 12TX-2821 TO 12TX-3020 TO 16TX-2441 TO with or w/out Intarder	PTO 01004000171 M/KIT 15400304347 SHAFT KIT 09301080113	Air Shift	990	Rear	Left Hand	9
	PTO 01006300174 M/KIT 15400304570 SHAFT KIT 09301080113	Air Shift	250	Rear	Right Hand	13
	PTO 01004300174 M/KIT 09704210059 SHAFT KIT 09301080113	Air Shift	400	Rear	Right Hand	15
	PKZF081P70	Air Shift	400	Rear	Right Hand	15
	PTO 01007310170 M/KIT 15400304909 SHAFT KIT 09301080113	Air Shift	500	Rear	Right Hand	15

Product Features

- Output ratios vary depending on the transmission model.
- Various output interfaces: ISO, UNI and Flange.
- Viton outputs seal for high working temperatures.
- Onboard PTO engagement feedback switch to communicate with vehicle parameters.
- Air shifting.

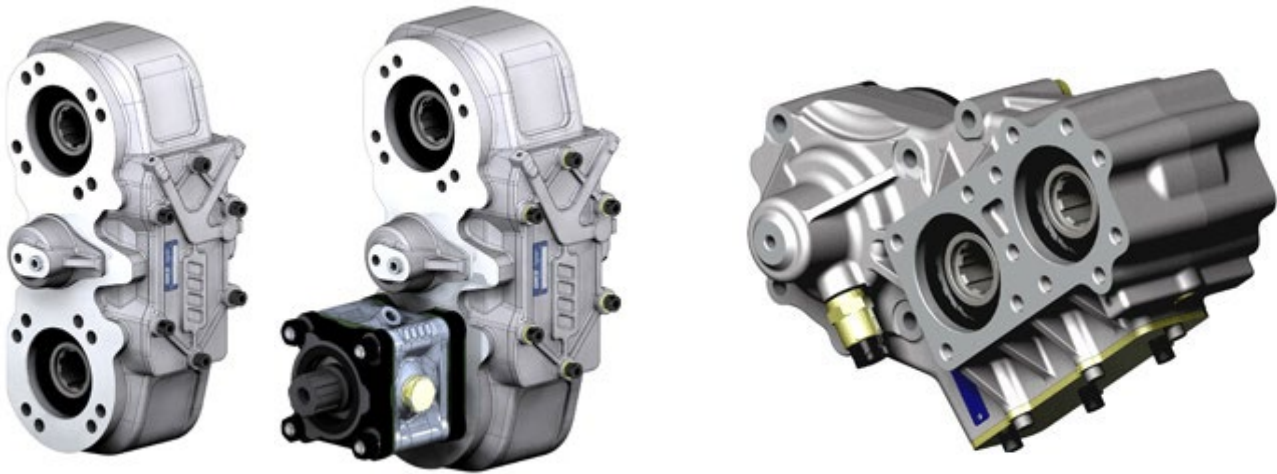
****All PTOs come with mounting kits to suit****



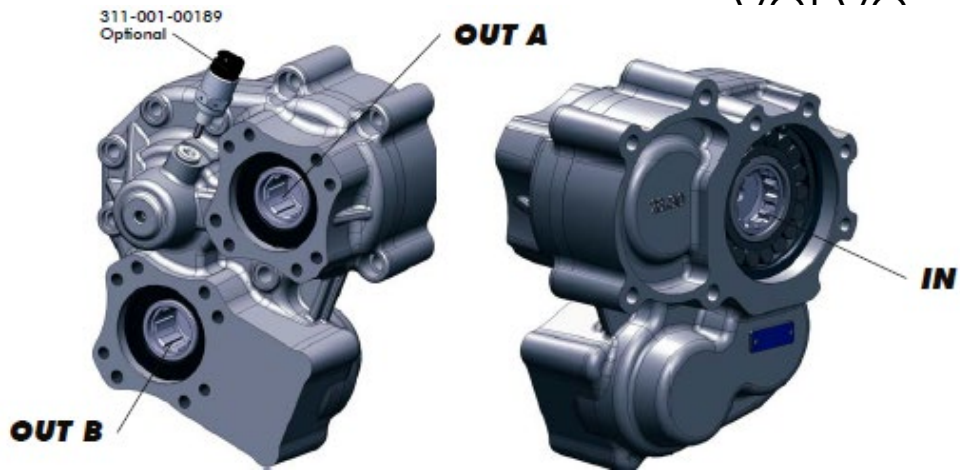
1800 022 831
www.heavyhydraulics.com.au



High Performance Multi Output PTOs



PTO "HIGH-POWERTRONIC" ZPTO "MULTI-POWER"



PTO "HIGH-POWER" SCANIA GRS/GRSO 905

Product Features

- Multiple Output ratios vary depending on the transmission model.
- Various output interfaces: ISO, UNI and Flange.
- Viton outputs seal for high working temperatures.
- Onboard PTO engagement feedback switch to communicate with vehicle parameters.
- Air shifting.

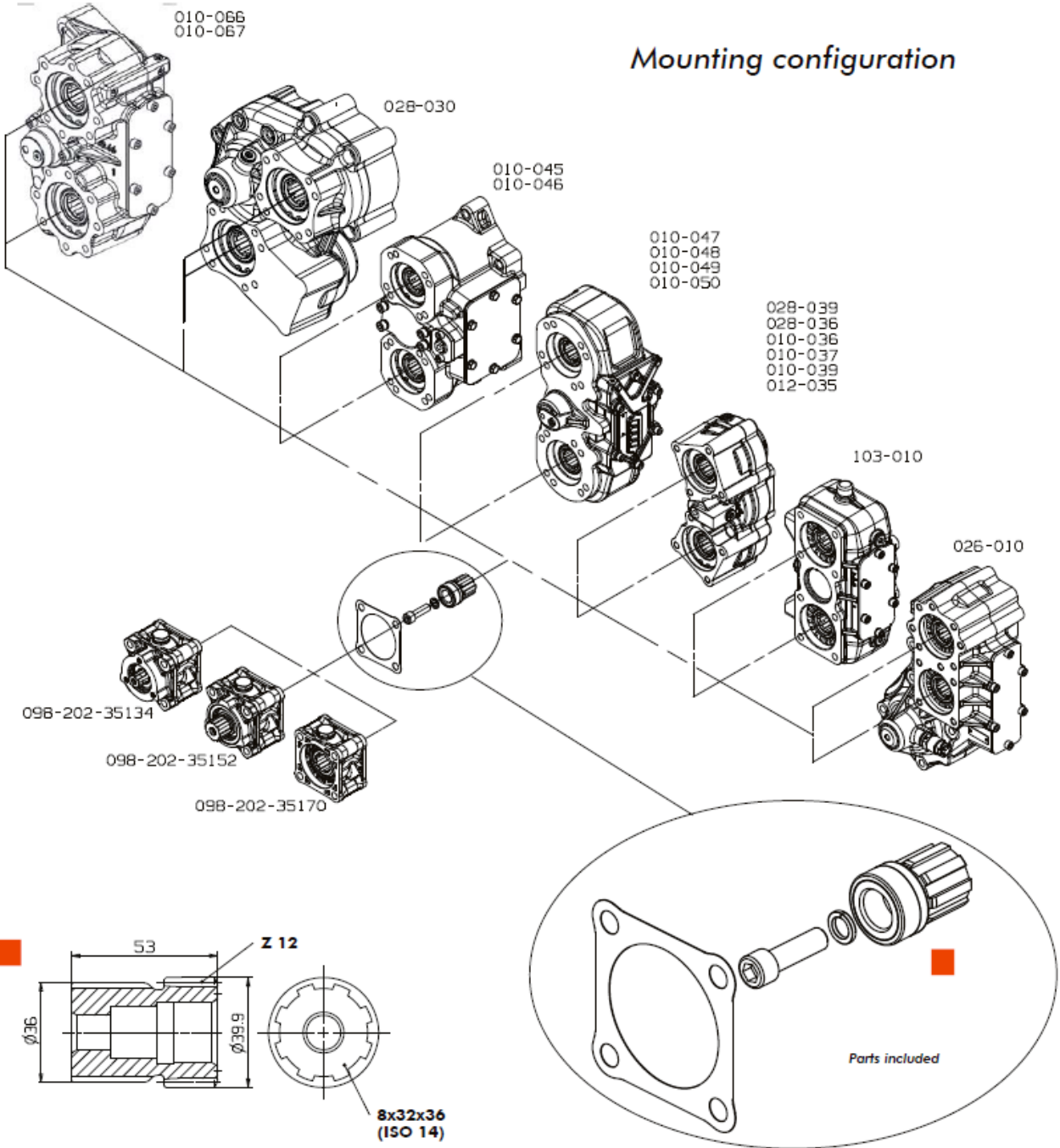
All PTOs come with mounting kits to suit



1800 022 831
www.heavyhydraulics.com.au



High Performance Multi Output PTOs



1800 022 831
www.heavyhydraulics.com.au

