

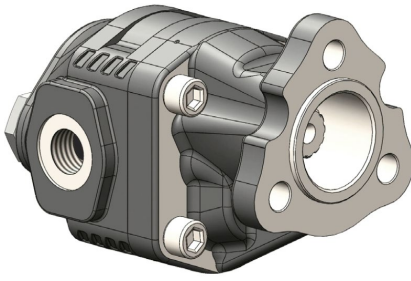


GEAR PUMPS

NPLH Series UNI Gear Pumps – 6cc to 40cc	3.1
NPLH Series ISO Gear Pumps – 6cc to 40cc	3.2
NPH Series UNI Gear Pumps – 17cc to 125cc	3.3
NPH Series ISO Gear Pumps – 17cc to 125cc	3.4
DTH Series ISO Tipper Gear Pumps – 60cc to 80cc	3.5
NPGH Series ISO Gear Pumps – 63cc to 150cc	3.6
NPH Series Tandem UNI Gear Pumps - 17cc to 82cc	3.7
NPH Series Tandem ISO Gear Pumps – 17cc to 82cc	3.8

1800 022 831

www.heavyhydraulics.com.au

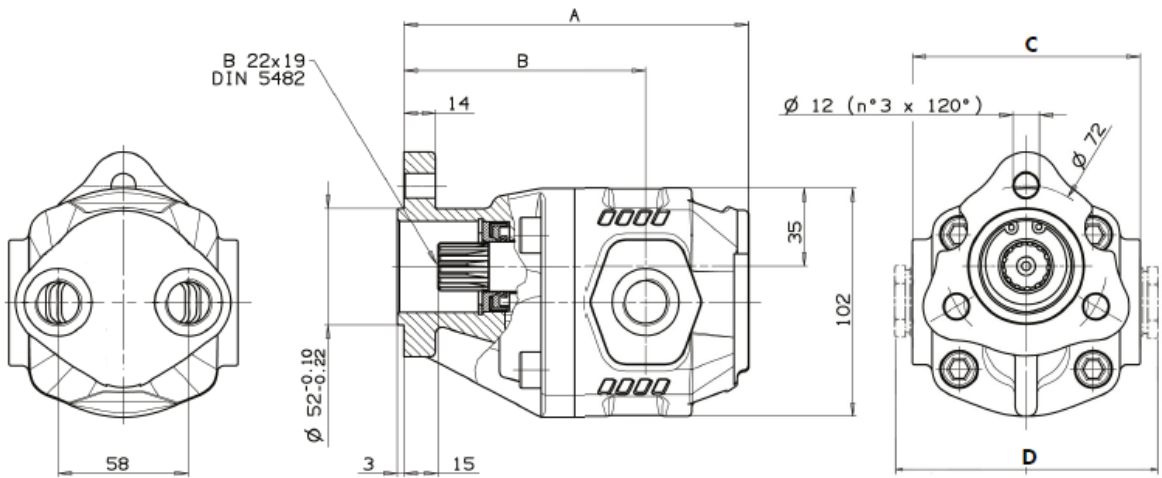


TECHNICAL FEATURES							
Pump type	Displacement	Pressure			Max. continuous speed	Max. intermittent speed	Min. speed
		P1	P2	P3			
	cm ³ /rev	bar	bar	bar	rpm	rpm	rpm
NPLH-6	6,3	280	310	325	2200	3000	300
NPLH-10	10,06						
NPLH-12	11,92						
NPLH-14	13,8						
NPLH-16	16,03						
NPLH-20	20,1	260	280	290	2000	2800	300
NPLH-25	25,1	220	250	260			
NPLH-32	32,04	190	210	220			
NPLH-40	39,9	160	180	190	1800	2500	

Max. continuous pressure
 Max. intermittent pressure
 Max. peak pressure

(100%)
 (20 sec.max.)
 (6 sec.max.)

Dimensions



Technical data

Pump type	Order code	IN	OUT	A	B	C	D	Weight
		ISO 228	ISO 228	mm	mm	mm	mm	Kg
NPLH-6	10500410065	G 1/2	G 1/2	132	98,5	98	116	4,7
NPLH-10	10500410109			138	104,5			5
NPLH-12	10500410127			144	98			5,1
NPLH-14	10500410145			147,5	101,5	5,3		
NPLH-16	10500410163			154	108	5,7		
NPLH-20	10500410207	G 3/4	G 3/4	162	113	102	120	5,9
NPLH-25	10500410252			173	124			6,3
NPLH-32	10500410323			188	135			7,6
NPLH-40	10500410403							



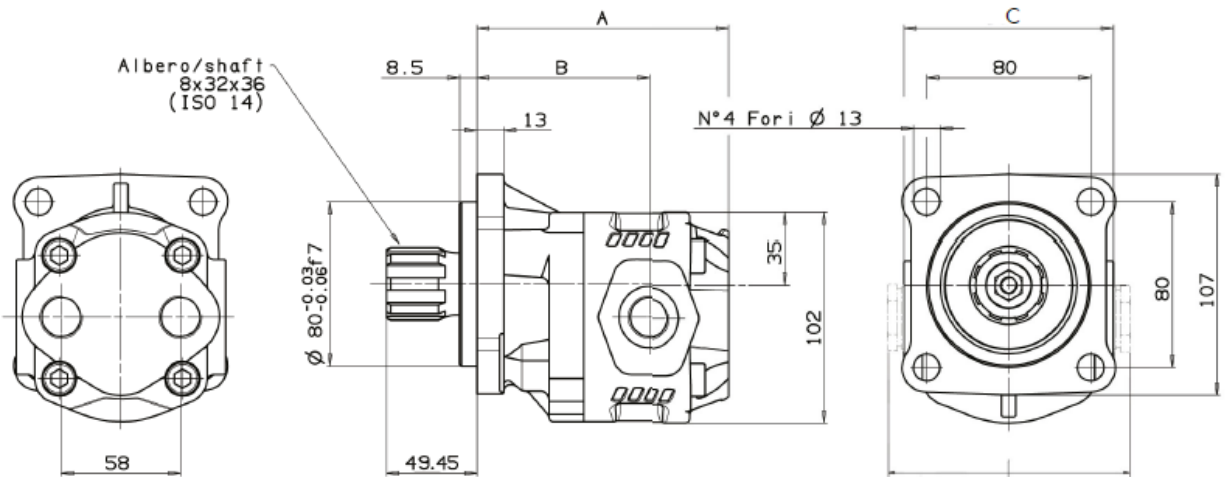
1800 022 831
www.heavyhydraulics.com.au



Pump type	Displacement cm ³ /rev	Pressure			Max. continuous speed rpm	Max. intermittent speed rpm	Min. speed rpm
		P1	P2	P3			
		bar	bar	bar	rpm	rpm	rpm
NPLH-6	6,3	280	310	325	2200	3000	300
NPLH-10	10,06						
NPLH-12	11,92						
NPLH-14	13,8						
NPLH-16	16,03						
NPLH-20	20,1	260	280	290	2000	2800	300
NPLH-25	25,1	220	250	260			
NPLH-32	32,04	190	210	220			
NPLH-40	39,9	160	180	190	1800	2500	

Max. continuous pressure (100%)
 Max. intermittent pressure (20 sec.max.)
 Max. peak pressure (6 sec.max.)

Dimensions



Technical data

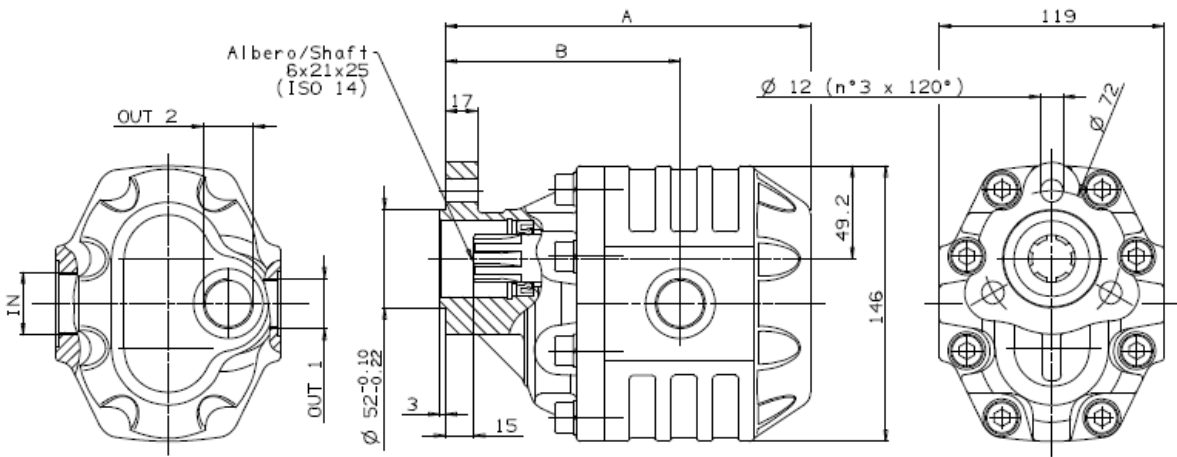
Pump type	Order code	IN	OUT	A	B	C	D	Weight
		ISO 228	ISO 228	mm	mm	mm	mm	Kg
NPLH-6	10500440069	G 1/2	G 1/2	108	74.5	98	116	5.2
NPLH-10	10500440103			114	80			5.8
NPLH-12	10500440121			120	74	102	120	6
NPLH-14	10500440149			123.5	77.5			6.2
NPLH-16	10500440167			130	84			6.4
NPLH-20	10500440201	G 3/4	G 3/4	140	89	106	124	6.8
NPLH-25	10500440256			149	100			7.2
NPLH-32	10500440327			164	111			7.8
NPLH-40	10500440407							8.3



TECHNICAL FEATURES							
Pump type	Displacement	Pressure			Max. continuous speed	Max. intermittent speed	Min. speed
		P1	P2	P3			
	cm ³ /rev	bar	bar	bar	rpm	rpm	rpm
NPH-17	17.04						300
NPH-22	22.15	290	315	325	2500	3000	
NPH-27	26.18						
NPH-34	33.88	280	300	310	2200	2800	
NPH-43	43.12	270	290	300	2000	2500	
NPH-51	50.82	240	260	280			
NPH-61	60.06	220	240	250	1900	2500	
NPH-73	72.88	205	225	230	1900	2500	
NPH-82	81.08	205	225	230	1900	2500	
NPH-90	90.43	180	200	220	1900	2500	
NPH-100	98.18	180	200	220	1500	1800	
NPH-125	122.72	160	180	200	1500	1800	

Max. continuous pressure (100%)
 Max. intermittent pressure (20 sec.max.)
 Max. peak pressure (6 sec.max.)

Dimensions



Technical data

Pump type	Rotation		IN	OUT 1	OUT 2	A	B	Weight
	Destra / Right	Sinistra / Left						
			ISO 228	ISO 228	ISO 228	mm	mm	Kg
NPH-17	10501100175	10501100184	G 1/2	G 1/2	G 1/2	152.5	103.5	8.5
NPH-22	10501100228	10501100237				156	105.5	9
NPH-27	10501100273	10501100282	G 3/4	G 3/4	G 3/4	158.5	108	9.5
NPH-34	10501100344	10501100353				163.5	109	10.5
NPH-43	10501100433	10501100442	G1	G1	G1	169.5	114	11
NPH-51	10501100513	10501100522				174.5	114.5	11.5
NPH-61	10501100611	10501100620	G1 1/4	G1	G1	180.5	120.5	12
NPH-73	10501100737	10501100746				188.5	119.5	12.5
NPH-82	10501100826	10501100835	G1 1/4	G1	G1	193.5	124.5	13
NPH-90	10501100906	10501100915				204.5	132.5	13.5
NPH-100	10501101003	10501101012	G1 1/4	G1	G1	210.5	138.5	14
NPH-125	10501101254	10501101263				226.5	142.5	16



1800 022 831

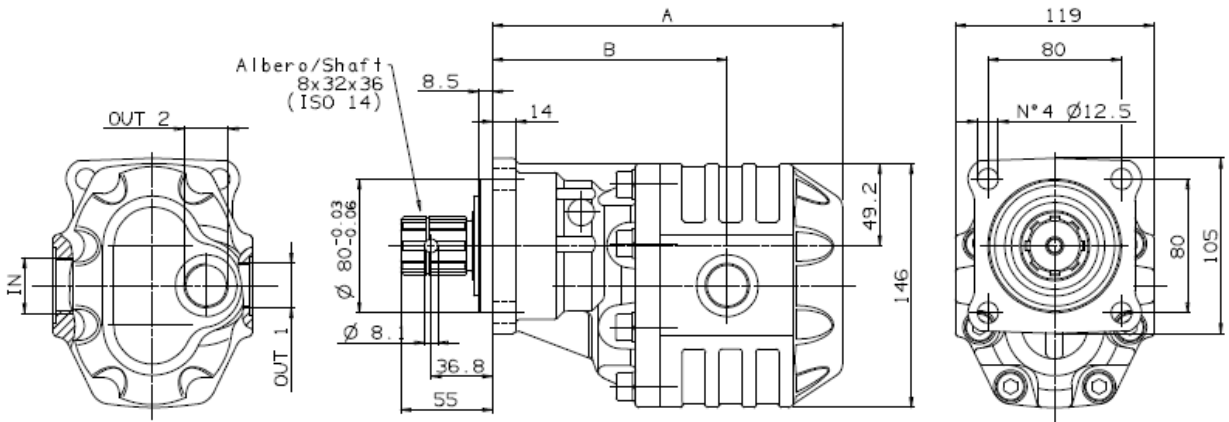
www.heavyhydraulics.com.au



TECHNICAL FEATURES							
Pump type	Displacement	Pressure			Max. continuous speed	Max. intermittent speed	Min. speed
		P1	P2	P3			
	cm ³ /rev	bar	bar	bar	rpm	rpm	rpm
NPH-17	17.04						300
NPH-22	22.15	290	315	325	2500	3000	
NPH-27	26.18						
NPH-34	33.88	280	300	310	2200	2800	
NPH-43	43.12	270	290	300		2000	
NPH-51	50.82	240	260	280		2500	
NPH-61	60.06	220	240	250	1900	2500	
NPH-73	72.88	205	225	230	1900	2500	
NPH-82	81.08	205	225	230	1900	2500	
NPH-90	90.43	180	200	220	1900	2500	
NPH-100	98.18	180	200	220	1500	1800	
NPH-125	122.72	160	180	200	1500	1800	

Max. continuous pressure (100%)
 Max. intermittent pressure (20 sec.max.)
 Max. peak pressure (6 sec.max.)

Dimensions



Technical data

Pump type	Rotation		IN	OUT 1	OUT 2	A	B	Weight		
	Destra / Right	Sinistra / Left								
			ISO 228	ISO 228	ISO 228	mm	mm	Kg		
NPH-17	10501110173	10501110182	G 1/2	G 1/2		168.5	119.5	11		
NPH-22	10501110226	10501110235				172	121.5	11.5		
NPH-27	10501110271	10501110280				174.5	124	12		
NPH-34	10501110342	10501110351	G 3/4			179.5	125	13		
NPH-43	10501110431	10501110441				185.5	130	13.5		
NPH-51	10501110511	10501110520	G1	G 3/4		190.5	130.5	14		
NPH-61	10501110619	10501110628				196.5	136.5	14.5		
NPH-73	10501110735	10501110744				204.5	135.5	15		
NPH-82	10501110824	10501110833	G1 1/4			209.5	140.5	15.5		
NPH-90	10501110904	10501110913				G1	G 3/4	220.5	148.5	15.5
NPH-100	10501111001	10501111010						226.5	154.5	15
NPH-125	10501111252	10501111261						242.5	158.5	17



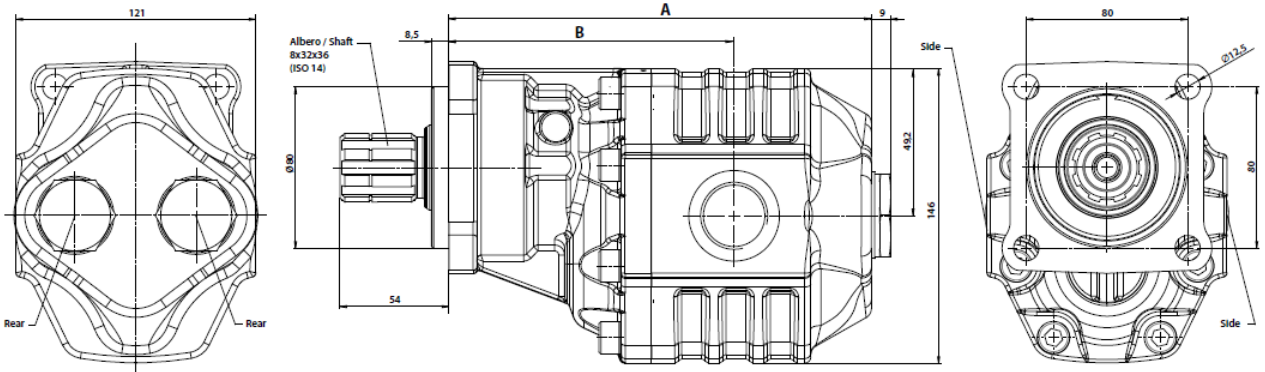
1800 022 831

www.heavyhydraulics.com.au



Fluid	Mineral or synthetic compatible with the following seals: NBR, FKM, FPM, Nylon				
Kinematic viscosity suggested	Average ambient temp. (°C)	< -10	-10÷10	10÷35	> 35
	VG (cSt = mm ² /s)	22	32	46	68
Optimale kinematic viscosity			VG= 10 cSt ÷ 100 cSt		
Max kinematic viscosity suggested at the start-up			VG= 750 cSt		
Viscosity Index suggested	VI > 100	Working temperature		-15°C +100°C	
Oil filtering			> 200 bar: 10 µm < 200 bar: 25 µm		
Inlet pressure			-0,3 ÷ 2 bar		
Pump rotation			Bidirectional		

Dimensions



Technical data

Pump type	Displacement	Code	Side	Rear	Pressure			A	B	Max. continuous speed	Max. intermittent speed	Min. speed	Weight
					P1	P2	P3						
			ISO 228	ISO 228	bar	bar	bar	mm	mm	rpm	rpm	rpm	kg
DTH-43	43,12	10592810433	G3/4		230	240	250	185,5	130	2000	2500	300	12
DTH-51	50,82	10592810513	G1		220	230	240	190,5	130,5				12,8
DTH-61	60,06	10592810611			205	225	230	196,5	136,5	13,2			
DTH-82	81,08	10592810826	G1					209,5	141,5	1900	15,8		

Max. continuous pressure
Max. intermittent pressure
Max. peak pressure

(100%)
(20 sec.max.)
(6 sec.max)



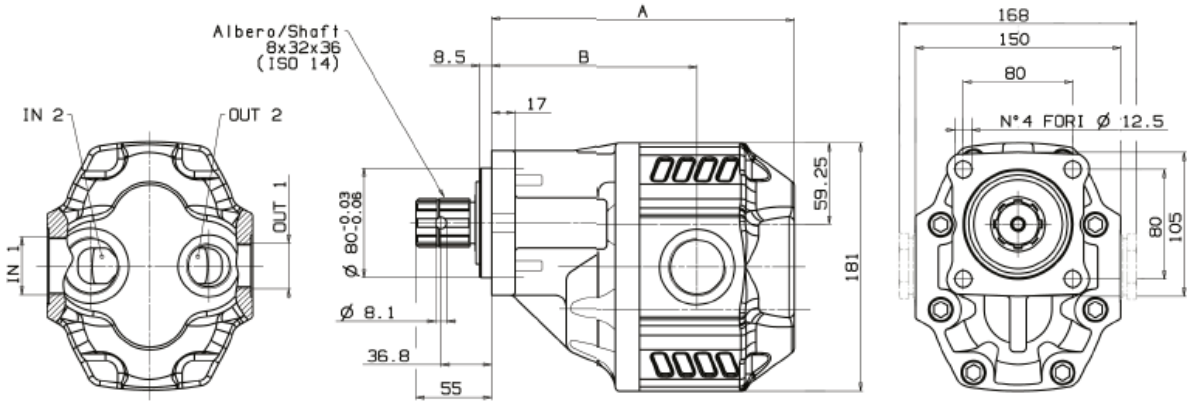
1800 022 831
www.heavyhydraulics.com.au



TECHNICAL FEATURES							
Pump type	Displacement	Pressure			Max. continuous speed	Max. intermittent speed	Min. speed
		P1	P2	P3			
	cm ³ /rev	bar	bar	bar	rpm	rpm	rpm
NPGH-63	63.70	290	315	325	1800	2700	300
NPGH-73	74.87	280	300	315			
NPGH-84	85.96	260	280	290			
NPGH-100	102.60	250	270	280	1500	2500	
NPGH-116	119.24	240	260	270			
NPGH-133	135.88	220	250	260			
NPGH-150	149.75	180	210	220			

Max. continuous pressure (100%)
 Max. intermittent pressure (20 sec.max.)
 Max. peak pressure (6 sec.max.)

Dimensions



Technical data

Pump type	Rotation		IN 1 IN 2	OUT 1 OUT 2	A	B	Weight
	Destra / Right	Sinistra / Left					
			ISO 228	ISO 228	mm	mm	Kg
NPGH-63	10501210636	10501210645	G 1	G 3/4	201.5	136.5	19
NPGH-73	10501210734	10501210743			205.5	140.5	21
NPGH-84	10501210841	10501210850	G 1 1/4	G 1	209.5	141	21.5
NPGH-100	10501211000	10501211019			215.5	144.5	22
NPGH-116	10501211162	10501211171			221.5	150.5	22.5
NPGH-133	10501211331	10501211340	G 1 1/2		231.5	152.5	23.5
NPGH-150	10501211500	10501211519			236.5	157.5	24



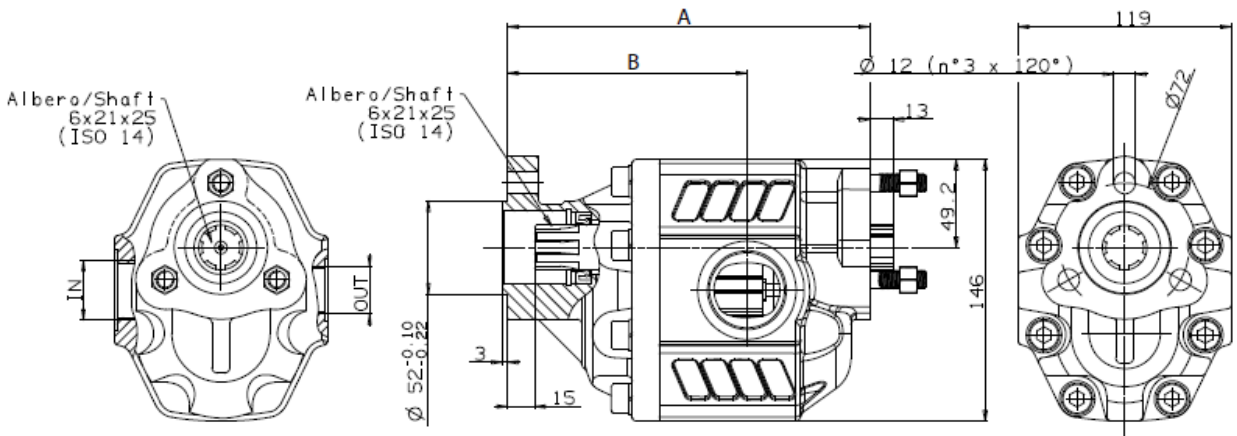
1800 022 831
www.heavyhydraulics.com.au



Pump type	Displacement cm ³ /rev	Pressure			Max. continuous speed rpm	Max. intermittent speed rpm	Min. speed rpm
		P1	P2	P3			
		bar	bar	bar			
NPH-17	17.04	290	315	325	2500	3000	300
NPH-22	22.15						
NPH-27	26.18						
NPH-34	33.88	280	300	310	2200	2800	
NPH-43	43.12	270	290	300	2000	2500	
NPH-51	50.82	240	260	280	1800	2000	
NPH-61	60.06	220	240	250	1600	1800	
NPH-73	72.88	200	220	230	1500		
NPH-82	81.08	190	210	220			

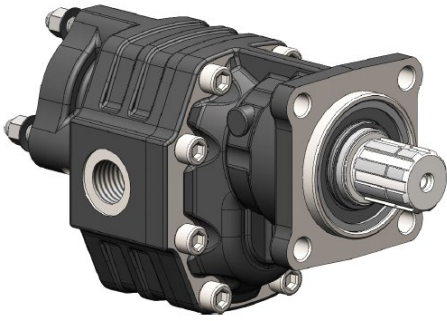
Max. continuous pressure (100%)
 Max. intermittent pressure (20 sec max)
 Max. peak pressure (5 sec max)

Dimensions



Technical data

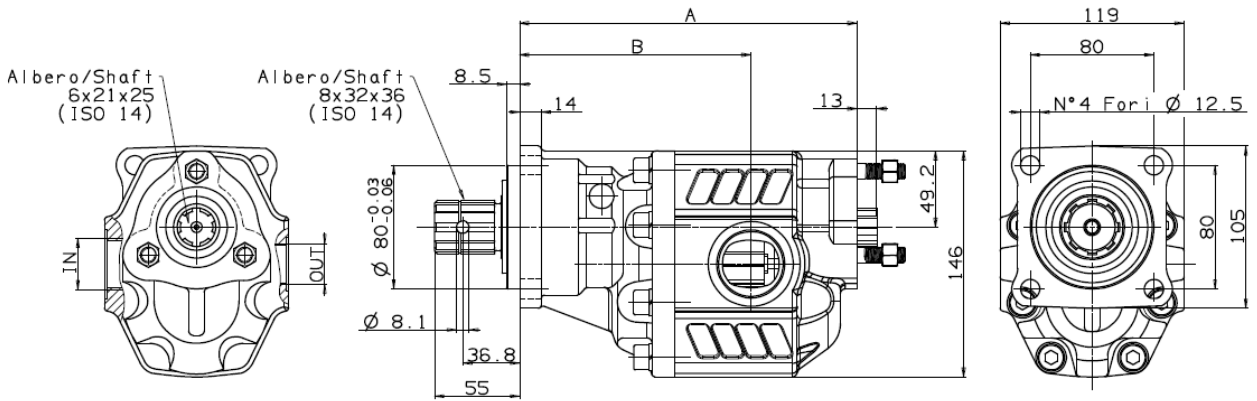
Pump type	Rotation		IN ISO 228	OUT ISO 228	A mm	B mm	Weight Kg
	Destra / Right	Sinistra / Left					
NPH-17	10502300171	10502300180	G 1/2		164	103	9.6
NPH-22	10502300224	10502300233			167.5	105.5	9.8
NPH-27	10502300279	10502300288			170	108	10.1
NPH-34	10502300340	10502300359	G 3/4		175	108	10.5
NPH-43	10502300439	10502300448			181	114	11.02
NPH-51	10502300519	10502300528			186	114.5	11.3
NPH-61	10502300617	10502300626	G 1		192	120.5	11.8
NPH-73	10502300733	10502300742			200	119.5	12.4
NPH-82	10502300822	10502300831			G 1 1/4	205	126.5



Pump type	Displacement	TECHNICAL FEATURES					
		Pressure			Max. continuous speed	Max. intermittent speed	Min. speed
		P1	P2	P3			
	cm ³ /rev	bar	bar	bar	rpm	rpm	rpm
NPH-17	17.04	290	315	325	2500	3000	300
NPH-22	22.15						
NPH-27	26.18						
NPH-34	33.88	280	300	310	2200	2800	
NPH-43	43.12	270	290	300	2000	2500	
NPH-51	50.82	240	260	280			
NPH-61	60.06	220	240	250	1800	2000	
NPH-73	72.88	200	220	230	1600	1800	
NPH-82	81.08	190	210	220	1500		

Max. continuous pressure (100%)
 Max. intermittent pressure (20 sec.max.)
 Max. peak pressure (6 sec.max.)

Dimensions



Technical data

Pump type	Rotation		IN	OUT	A	B	Weight	
	Destra / Right	Sinistra / Left						
NPH-17	10502310179	10502310188	ISO 228	ISO 228	180	119	10.6	
NPH-22	10502310222	10502310231			G 1/2	183.5	121.5	11
NPH-27	10502310277	10502310286			186	124	11.5	
NPH-34	10502310348	10502310357	G 3/4	G 3/4	191	124	12.5	
NPH-43	10502310437	10502310446			197	130	13	
NPH-51	10502310517	10502310526			202	130.5	13.5	
NPH-61	10502310615	10502310624	G 1	G 1	208	136.5	14	
NPH-73	10502310731	10502310740			216	135.5	14.5	
NPH-82	10502310820	10502310839	G 1 1/4	G 1 1/4	221	142.5	14.9	