



FUEL & OIL TANKS

TIP Series Valve-Mount Tanks	7.1
CH Series Chassis-Mounted Tanks	7.2
BP Series Multi-Fit Oil Tanks	7.3
BR Series Multi-Fit Oil Tanks	7.4
MONO Series Slimline Side-Mounted Oil Tanks	7.5
Vertical Series Rear-Of-Cab Oil Tanks	7.6
KOMBI Series Fuel & Oil Combi-Tanks	7.7
V1 Series Rear Mount Tank Supports	7.9
Tank Accessories	7.10

1800 022 831

www.heavyhydraulics.com.au

TIP Series tanks are manufactured using only high-quality raw materials combined with the latest technologies in robot welding and assembly. This results in a reliable product ideal for small tipper applications.

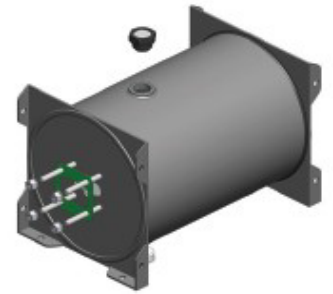
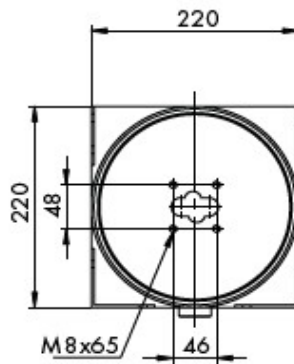
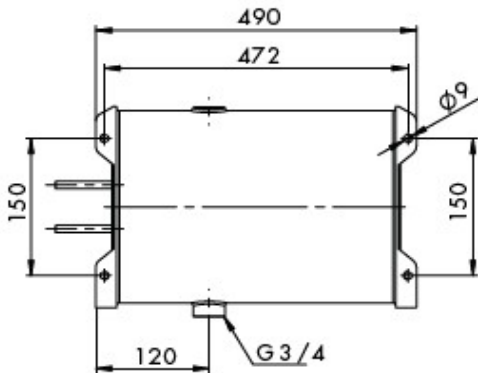
- Available in powder-coated steel with incorporated brackets for mounting inside or outside of chassis rails
- Ready for direct mounting of tipper-valve to eliminate the need for valve bracket and return line
- Cable, electric and pneumatic tipper-valve options available (not included with tank)



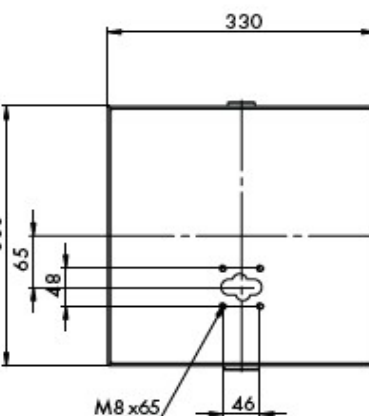
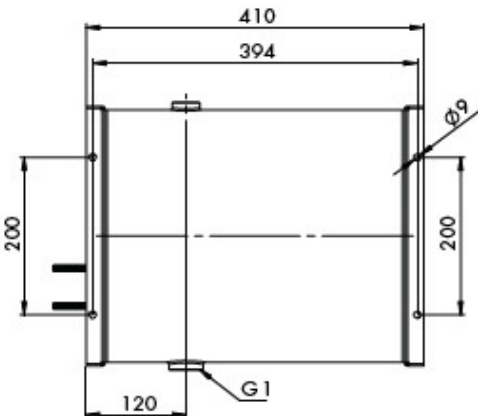
(Valve not included)

Capacity (L)	Product Code	Weight (kg)
15	13549800157	6.5
30	13549810306	12

13549800157



13549800306



1800 022 831

www.heavyhydraulics.com.au

CH Series tanks are manufactured using only high-quality raw materials combined with the latest technologies in robot welding and assembly. This results in a reliable product, sleek in appearance and suitable for a range of applications.

Available in powder-coated steel with incorporated brackets for mounting inside or outside of chassis rails

- 115mm filter provision for tank-top return filter and/or direct valve mounting
- Quality filler breather with replaceable element
- Oil-level indicator



Filter ready



No filter

Capacity (L)	Filter Ready		No Filter	
	Product Code	Weight (kg)	Product Code	Weight (kg)
21	TKCHF021S	9	TKCHN021S	9.5
40	TKCHF040S	13.5	TKCHN040S	14
60	TKCHF060S	16.5	TKCHN060S	17



BP Series tanks are manufactured using only high-quality raw materials combined with the latest technologies in robot welding and assembly. This results in a reliable product, sleek in appearance and suitable for a range of applications.

Available in aluminium or powder-coated steel, with L-brackets for side mounting or bottom brackets for rear-of-cab mounting

- 115mm filter provision for tank-top return filter and/or direct valve mounting
- Quality filler breather with replaceable element
- Oil-level indicator

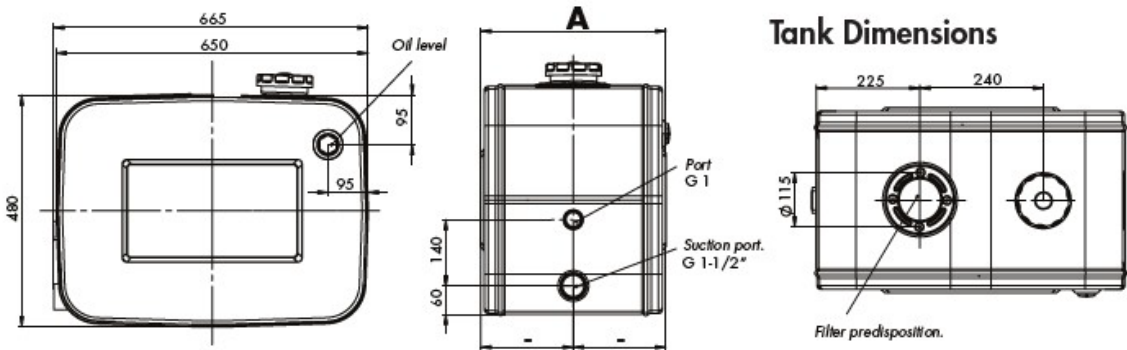


TKBPS Side Mount



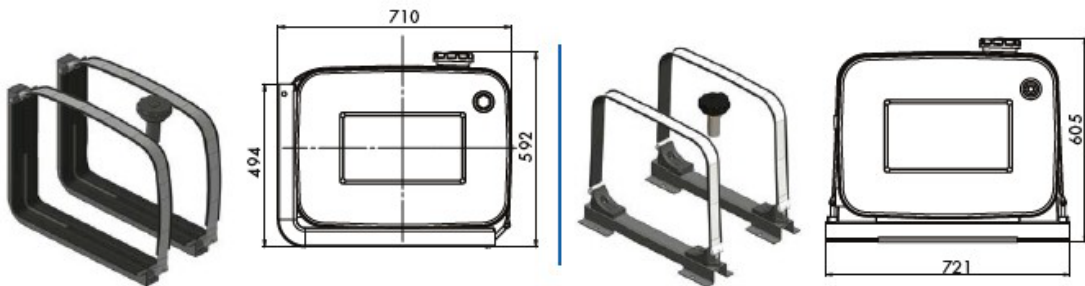
TKBPR Rear Mount

Capacity (L)	WITH SIDE-MOUNT BRACKET				WITH REAR-MOUNT BRACKET				A (mm)
	Aluminium		Steel		Aluminium		Steel		
	Product Code	Weight (kg)	Product Code	Weight (kg)	Product Code	Weight (kg)	Product Code	Weight (kg)	
100	TKBPS100A	30	TKBPS100S	41	TKBPR100A	29	TKBPR100S	40	350



Side Mount

Rear Mount



BR Series tanks are manufactured using only high-quality raw materials combined with the latest technologies in robot welding and assembly. This results in a reliable product, sleek in appearance and suitable for a range of applications.

Available in aluminium or powder-coated steel, with L-brackets for side mounting or bottom brackets for rear-of-cab mounting

- 115mm filter provision for tank-top return filter and/or direct valve mounting
- Quality filler breather with replaceable element
- Oil-level indicator

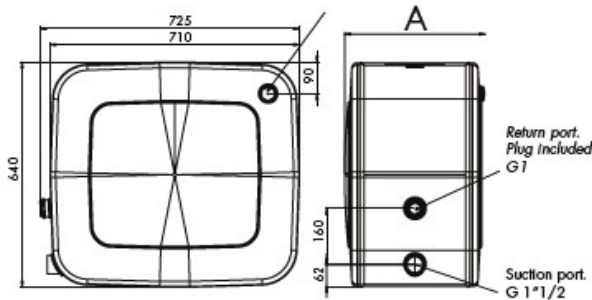


TKBRS Side Mount



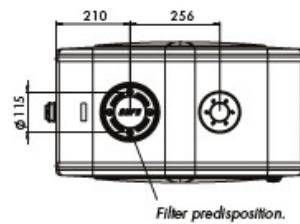
TKBRR Rear Mount

Capacity (L)	WITH SIDE-MOUNT BRACKET				WITH REAR-MOUNT BRACKET				A (mm)
	Aluminium		Steel		Aluminium		Steel		
	Product Code	Weight (kg)	Product Code	Weight (kg)	Product Code	Weight (kg)	Product Code	Weight (kg)	
135	TKBRS135A	36	TKBRS135S	44	TKBRR135A	29	TKBRR135S	37	350
150	TKBRS150A	37	TKBRS150S	46	TKBRR150A	30	TKBRR150S	39	400
170	TKBRS170A	38	TKBRS170S	48	TKBRR170A	31	TKBRR170S	41	450
200	TKBRS200A	39	TKBRS200S	50	TKBRR200A	32	TKBRR200S	43	500
250	TKBRS250A	41	TKBRS250S	53	TKBRR250A	34	TKBRR250S	46	600

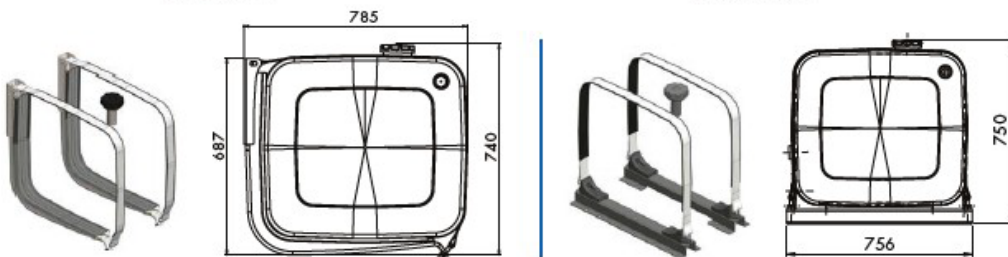


Side Mount

Tank Dimensions



Rear Mount



MONO Series tanks are manufactured using only high-quality raw materials combined with the latest technologies in robot welding and assembly. This results in a reliable product, sleek in appearance and suitable for a range of applications.

Available in aluminium or powder-coated steel, with single L-bracket for compact side mounting

- 115mm filter provision for tank-top return filter and/or direct valve mounting
- Quality filler breather with replaceable element
- Oil-level indicator



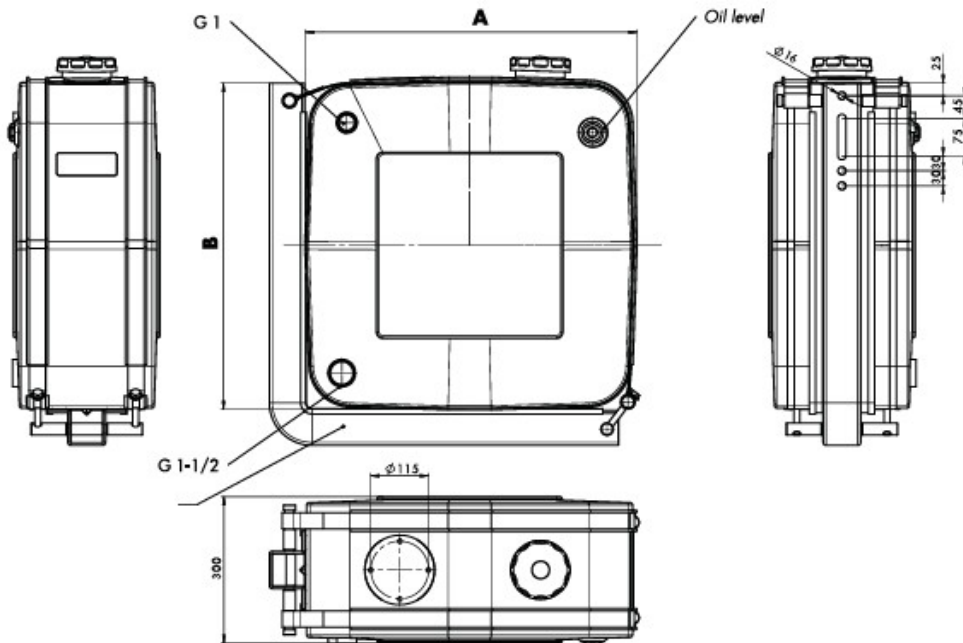
Aluminium



Steel

Capacity (L)	Aluminium		Steel		A (mm)	B (mm)
	Product Code	Weight (kg)	Product Code	Weight (kg)		
85	TKMON085A	33	TKMON085S	34	650	480
115	TKMON115A	39	TKMON115S	47	650	650

Tank Dimensions



1800 022 831

www.heavyhydraulics.com.au

VERTICAL Series tanks are manufactured using only high-quality raw materials combined with the latest technologies in robot welding and assembly. This results in a reliable product, sleek in appearance and suitable for a range of applications.

Available in aluminium or powder-coated steel, with bottom brackets for rear-of-cab mounting

- 115mm filter provision for tank-top return filter and/or direct valve mounting
- Quality filler breather with replaceable element
- Oil-level indicator

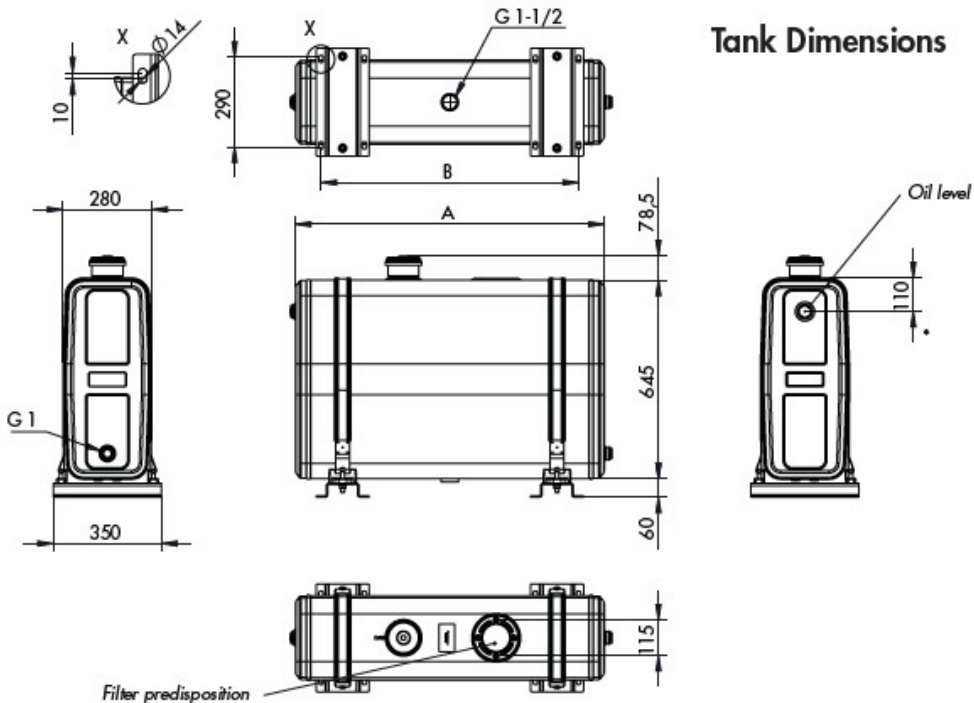


Aluminium



Steel

Capacity (L)	Aluminium		Steel		A (mm)	B (mm) Recommended
	Product Code	Weight (kg)	Product Code	Weight (kg)		
130	TKVER130A	24	TKVER130S	39	800	665
160	TKVER160A	27	TKVER160S	44	1000	760
200	TKVER200A	30	TKVER200S	49	1250	980
230	TKVER230A	32	TKVER230S	54	1450	740



Tank Dimensions

KOMBI Series Fuel & Oil Tanks (625x680) SIDE MOUNTED FUEL TANKS

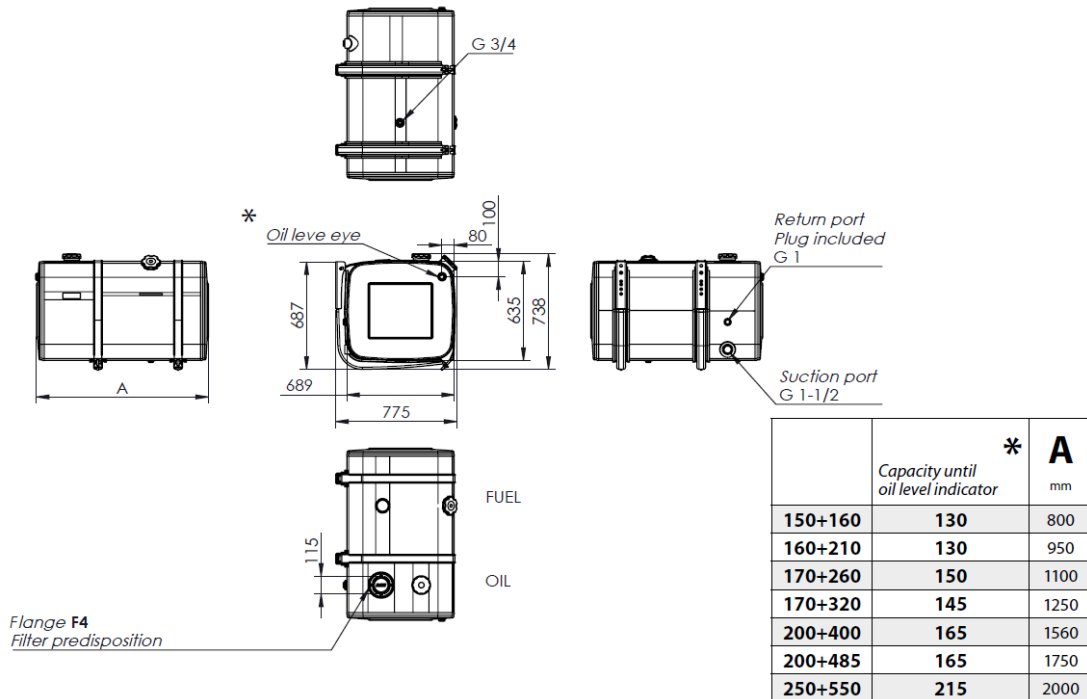
The KOMBI series of combi-tanks, designed to address the increasing challenges of space and weight constraints in modern vehicles, offer an innovative solution. These tanks incorporate separate compartments for hydraulic oil and fuel, divided by a watertight barrier. These reservoirs are meticulously designed and crafted, adhering to constantly updated specifications and leveraging cutting-edge technologies and premium-quality materials. Following the manufacturing process, they undergo two distinct pressure tests to ensure flawless performance.

The entire KOMBI range is equipped with ONU-ECE 34 E3 APPROVAL, a recognition accepted in all United Nations member countries. Their robust technical features provide exceptional flexibility for various applications, coupled with effortless installation convenience. combi tanks



ALUMINIUM			
Filling capacity		Tank code	Weight Kg
Oil	Fuel		
150	+ 160	HFALBQ08020	50,1
160	+ 210	HFALBQ09520	53,2
170	+ 260	HFALBQ11020	55,7
170	+ 320	HFALBQ12520	58,2
200	+ 400	HFALBQ15620	60,8
200	+ 485	HFALBQ17520	75,8
250	+ 550	HFALBQ20020	79,8

Tank dimensions



KOMBI Series Fuel & Oil Tanks (700x700) SIDE MOUNTED FUEL TANKS

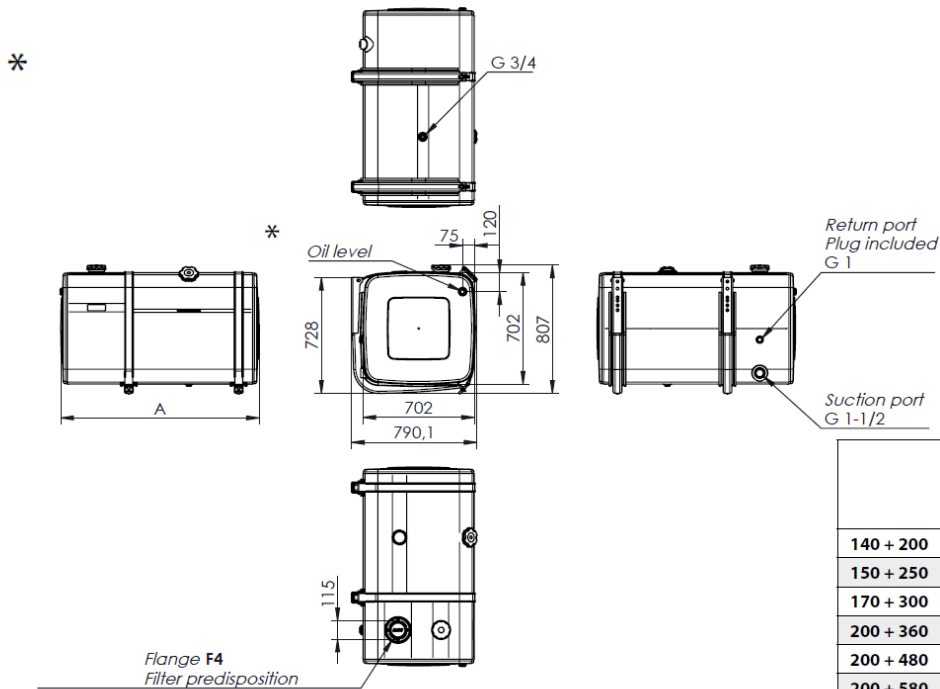
The KOMBI series of combi-tanks, designed to address the increasing challenges of space and weight constraints in modern vehicles, offer an innovative solution. These tanks incorporate separate compartments for hydraulic oil and fuel, divided by a watertight barrier. These reservoirs are meticulously designed and crafted, adhering to constantly updated specifications and leveraging cutting-edge technologies and premium-quality materials. Following the manufacturing process, they undergo two distinct pressure tests to ensure flawless performance.

The entire KOMBI range is equipped with ONU-ECE 34 E3 APPROVAL, a recognition accepted in all United Nations member countries. Their robust technical features provide exceptional flexibility for various applications, coupled with effortless installation convenience. combi tanks



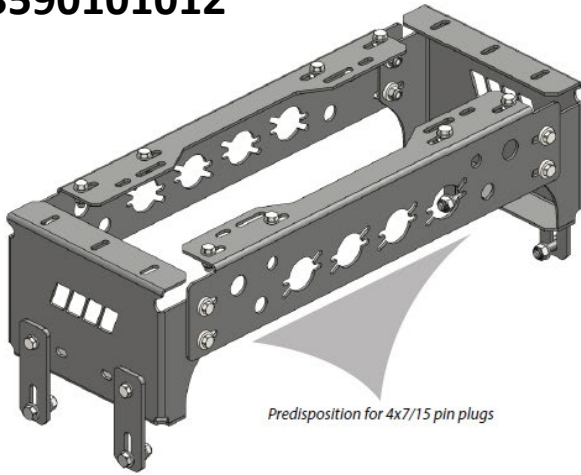
ALUMINIUM			
Filling capacity		Tank code	Weight Kg
Oil	Fuel		
140	+ 200	HFALBI07520	55,2
150	+ 250	HFALBI09020	57,8
170	+ 300	HFALBI10520	60,4
200	+ 360	HFALBI12520	63,9
200	+ 480	HFALBI15020	82
200	+ 580	HFALBI17520	86,3
250	+ 650	HFALBI20020	90,7

Tank dimensions



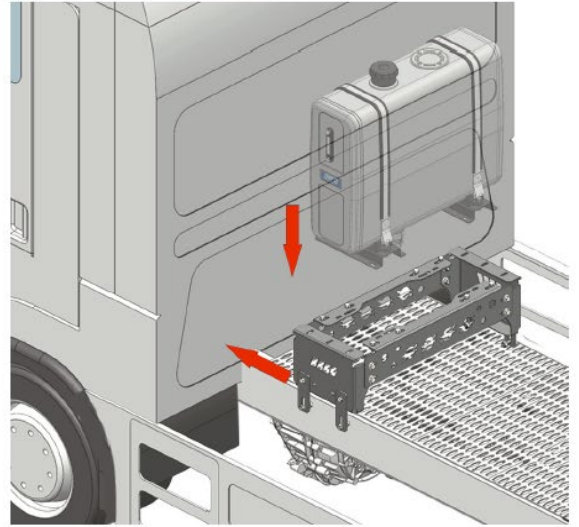
	Capacity until oil level indicator *	A mm
140 + 200	119	750
150 + 250	127	900
170 + 300	138,5	1050
200 + 360	166	1250
200 + 480		1500
200 + 580		1750
250 + 650		2000

Part Number:
13590101012

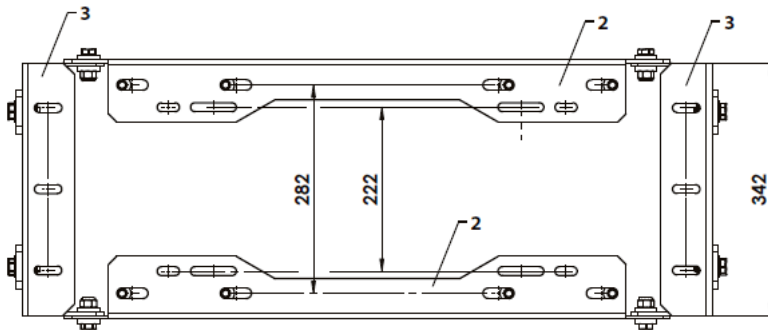
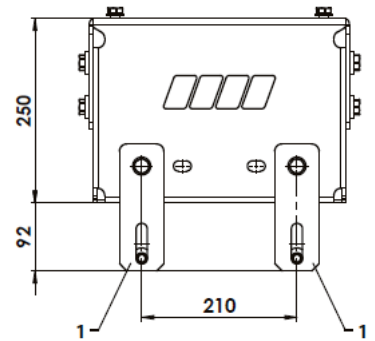
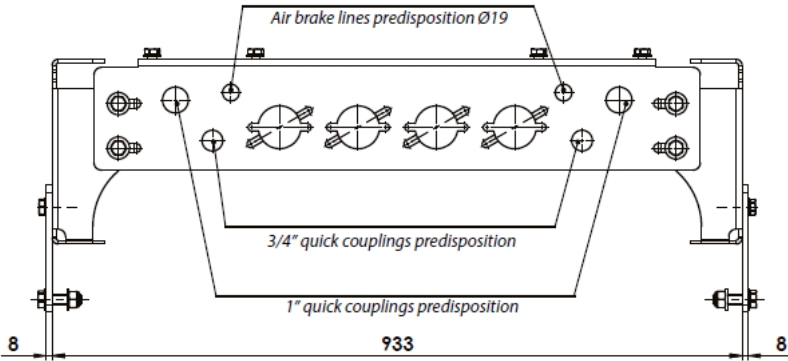


Predisposition for 4x7/15 pin plugs

Mounting example

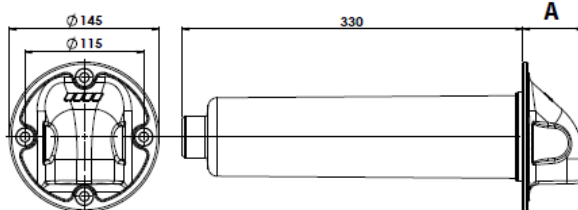
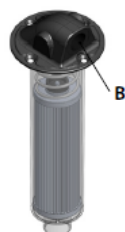


DIMENSIONS

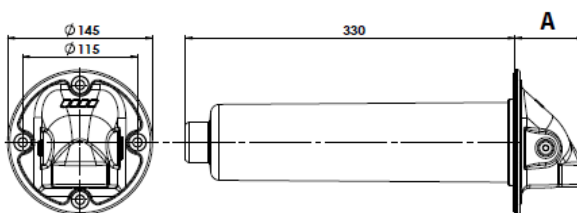
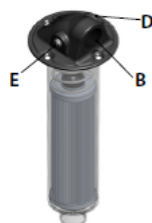


CAP WITH FILTER CARTRIDGE

Flange F4

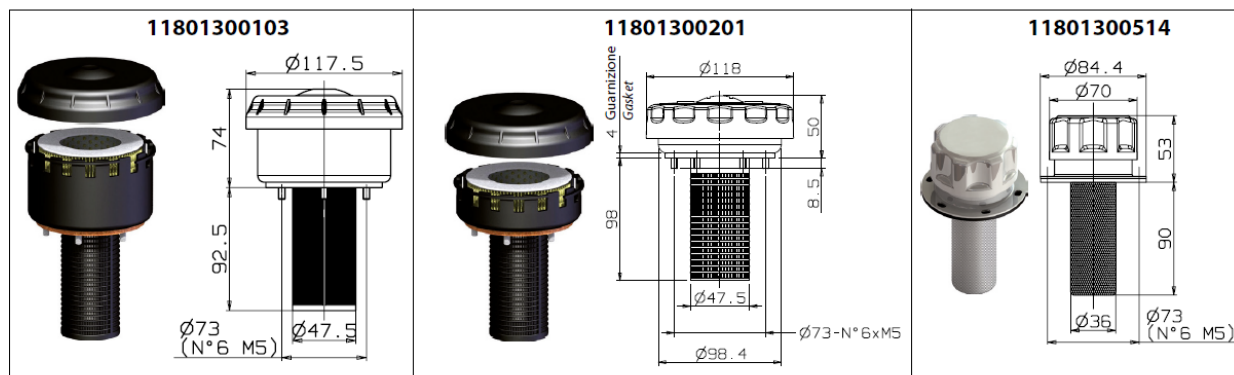


Cartridge	Code	A	B	Ricambi / Spare parts			
				Plastic recipient	Cartridge	Cap	Gasket
60 µm (steel) 200 lt	11800120050	69	G 1-1/4	50900001859	11800211176	54600200047V	50600003022
25 µm (cellulose) 160 lt	11800120069				11800212175		
25 µm (fiber) 160 lt	11800120087				11800212193		



Cartridge	Code	A	B	D	E	Spare parts			
						Plastic recipient	Cartridge	Cap	Gasket
60 µm (steel) 200 lt	11800120158	69	G 1-1/4	G 1/2	G 1/8	50900001859	1180011176	54600200056V	50600003022
10 µm (cellulose) 160 lt	11800120201				G 1/2			54600200092V	
25 µm (cellulose) 160 lt	11800120167	69	G 1-1/4	G 1/2	G 1/8	50900001859	11800212219	54600200056V	50600003022
25 µm (cellulose) 160 lt	11800120194				G 1/2			54600200092V	
25 µm (fiber) 160 lt	11800120185	69	G 1-1/4	G 1/2	G 1/8	50900001859	11800212175	54600200056V	50600003022
25 µm (cellulose) 160 lt	11800120194				G 1/2			54600200092V	
25 µm (fiber) 160 lt	11800120185	69	G 1-1/4	G 1/2	G 1/8	50900001859	11800212193	54600200056V	50600003022
25 µm (cellulose) 160 lt	11800120194				G 1/2			54600200092V	

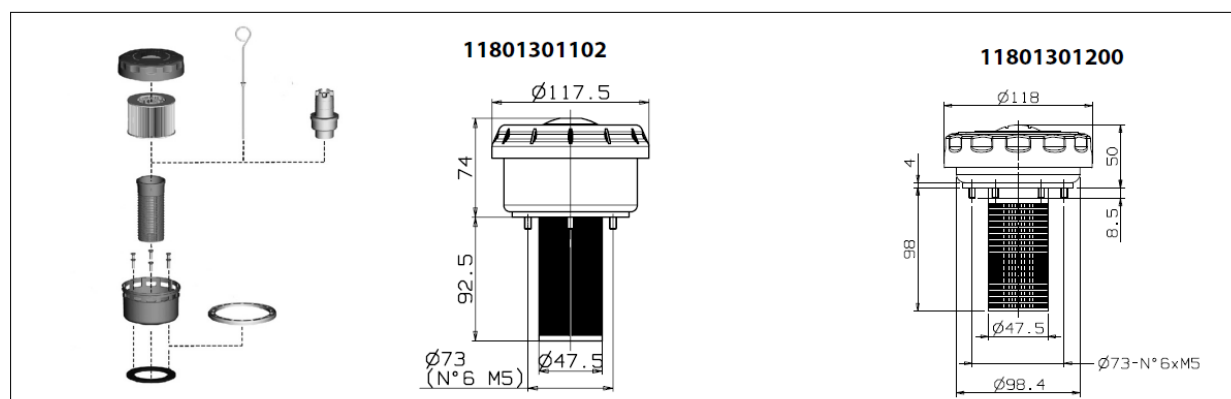
Filler cap



Filler cap complete with paper filter to ensure a proper filtration on the air coming into the tank.

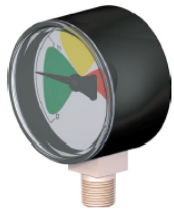
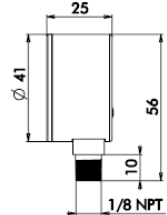
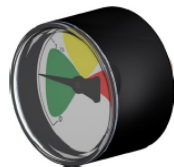
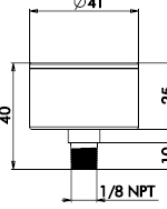
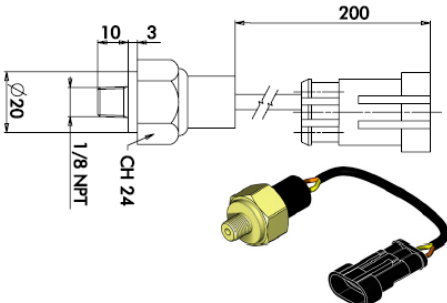
Order code	Air displacement	Filter	Filter Elements
11801300103	1800 l/min	3 µm	11890200107
11801300201	1400 l/min	10 µm	11890200125
11801300514	480 l/min	40 µm	Metallic net

Filler cap with antisplash



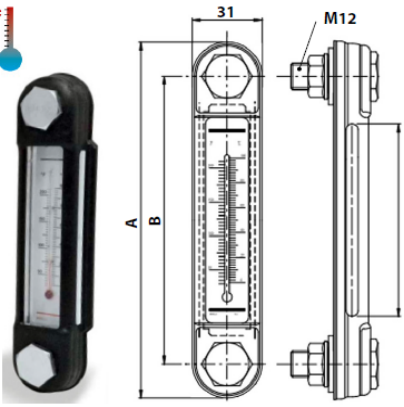


Order code	Air displacement	Filter	Filter Elements
11801301102	1800 l/min	3 µm	11890200107
11801301200	1400 l/min	10 µm	11890200125

Clogging indicators

Order code		Description	Products	
Visual indicators	Radial attachment 1180000073	Pressure gauge, scale from 0 to 6 bar radial attachment.		
	Attacco posteriore Rear attachment 1180000082	Pressure gauge, scale from 0 to 6 bar rear attachment.		
Electric indicators	31200500110	Adjustable electric indicator from 0.5 bar to 3 bar. IP 65 Packard connection.		

Level indicator

Order code		Description	Product																
50900400123		Aluminium level eye G 3/4"																	
50900400105		Aluminium level eye G 1"																	
Visual indicators	VERTICAL LEVEL GAUGES WITH METAL CASING - Max working temperature - 30° + 100° C. - Rear gasket: NBR 70 Shore. - Maximum tightening torque suggested 5 Nm.																		
	See table	<table border="1"> <thead> <tr> <th>Code</th> <th>Thermometer</th> <th>A</th> <th>B</th> </tr> </thead> <tbody> <tr> <td>50900400114</td> <td>no</td> <td rowspan="2">156</td> <td rowspan="2">127</td> </tr> <tr> <td>50900400052</td> <td>si/yes</td> </tr> <tr> <td>50900400196</td> <td>no</td> <td>192</td> <td>165</td> </tr> <tr> <td>50900400169</td> <td>no</td> <td>281</td> <td>254</td> </tr> </tbody> </table>		Code	Thermometer	A	B	50900400114	no	156	127	50900400052	si/yes	50900400196	no	192	165	50900400169	no
Code	Thermometer	A	B																
50900400114	no	156	127																
50900400052	si/yes																		
50900400196	no	192	165																
50900400169	no	281	254																